

规格说明: Specifications:

电气特性: Electrical:

1. 额定电流: Current Rating
1.5A/contact terminal
2. 额定电压: Voltage Rating
30V DC
3. 接触阻抗: Contact Resistance
30 milliohms MAX
4. 耐电压: Dielectric Withstanding Voltage:
500 V AC AT Sea Level
5. 绝缘阻抗: Insulation Resistance:
1000MEGA ohms MIN

物理性能: Mechanical:

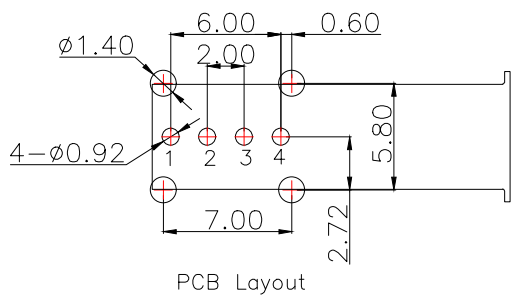
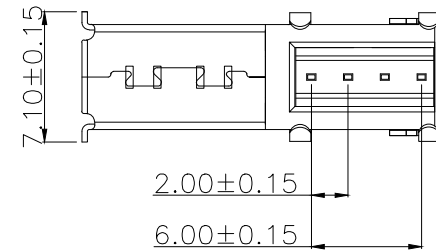
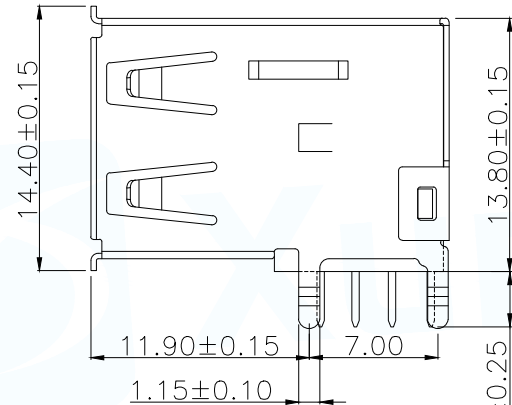
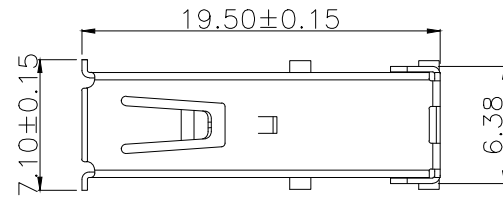
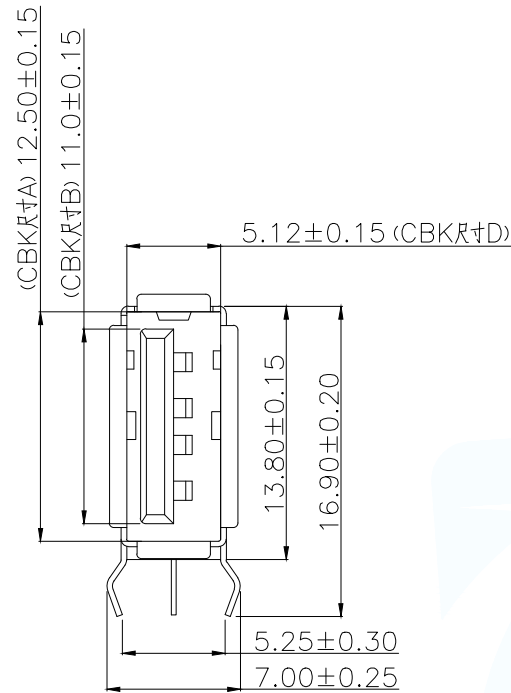
1. 插拔力: Connector Mate and Unmate Force
Mate force: 3.57kgf(MAX)
Unmate force: 1.02kgf(MIN)
2. 端子保持力: Terminal Retention
1.2kgf(MIN)

原材料: Material:

1. 塑胶: Housing:
High Temperature Thermoplastics,
UI 94V-0 PBT White
2. 端子: Contact: Copper Alloy C2680
3. 外壳: Shell: Copper Alloy C2680/SPCC

电镀: Finish:

1. 端子: Contact: Plated Gold in Mating Area;
Tin On Solder Tails
2. 外壳: Shell:
Nickel Plating

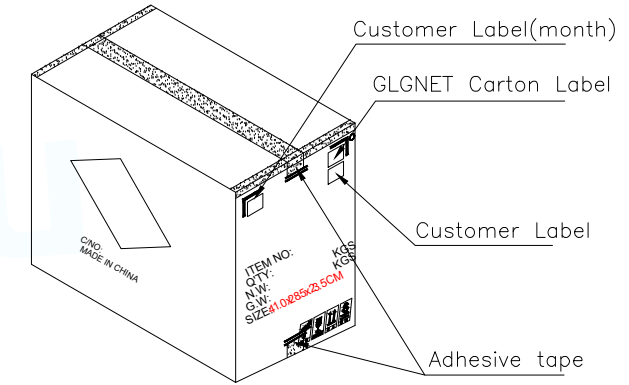
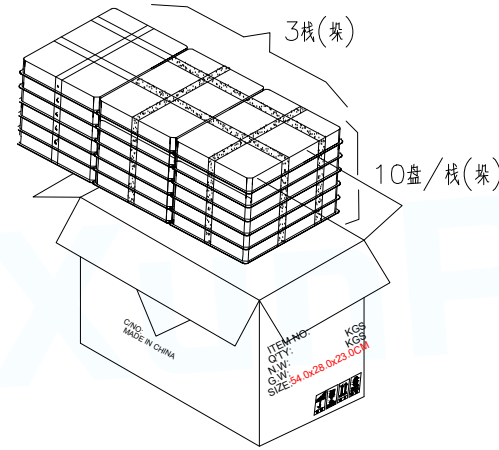
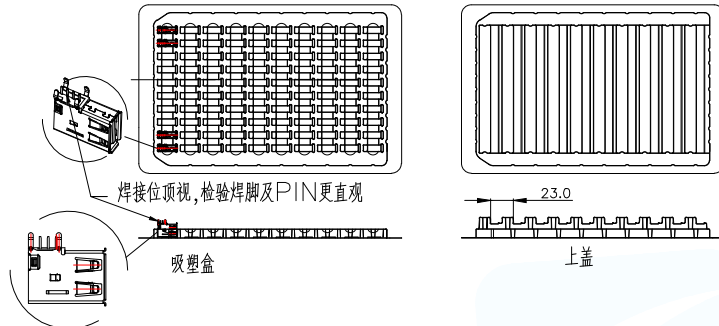


MANUFACTURE DWG		 东莞市讯普电子科技有限公司 DongGuan XunPu Electronics Co., Ltd	
UNLESS OTHERWISE SPECIFIED TOLERANCES			TITLE: USB AF 2.0 侧插连接器脚加塞 13.8高
			PAR: USB-226-BRY
DECIMALS:	ANGLES:		DWN: Lucas
.X: ±0.30	X.°: ±5'		CHKD: Ethan
.XX: ±0.20	X.X': ±2'	APVD: Jacob	SCALE: 1:1
.XXX: ±0.10		CUSTOMER COPY	UNIT: MM
		SIZE: A4	SHEET: 1F1
			REV: A

步骤1: 将好的产品放入指定的托盘内, 每盘放100PCS
放满后盖上吸塑盒上盖.

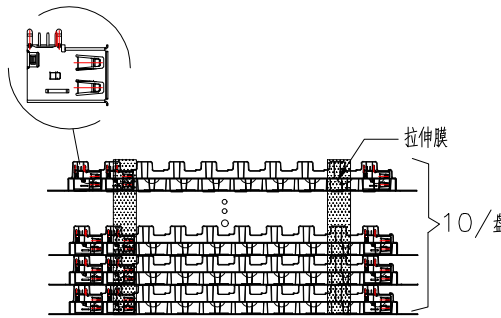
步骤3: 将固定好的一栈(垛)产品放入纸箱,
(见下图).

步骤4: 外箱规格及外箱标签贴附要求
(客户指定要求之标签及规格参照“客户包装规范”)



步骤2: 将10盘产品叠为一(垛)栈,
使用拉伸膜双十字型固定好.

100PCS/盘; 3000PCS/箱



包装规范

MANUFACTURE DWG		 东莞市讯普电子科技有限公司 DongGuan XunPu Electronics Co.,Ltd	
UNLESS OTHERWISE SPECIFIED TOLERANCES			TITLE:USB AF 2.0 侧插连体弯脚加塞 13.8高
DECIMALS:	ANGLES:		PAR USB-226-BRY
.X:±0.30	X.°:±5°		DWN Lucas
.XX:±0.20	X.X°:±2°		CHKD Ethan
.XXX:±0.10			APVD Jacob
		CUSTOMER COPY	SCALE:1:1 UNIT:MM 
			SIZE:A4 SHEET:1F1 REV:A