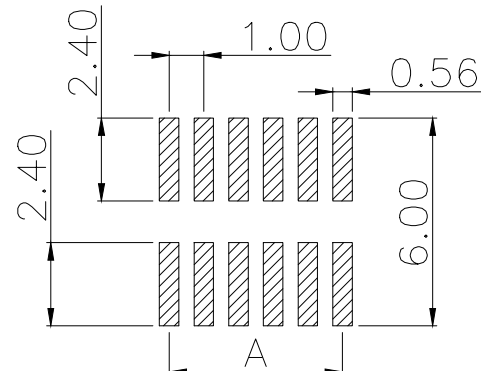
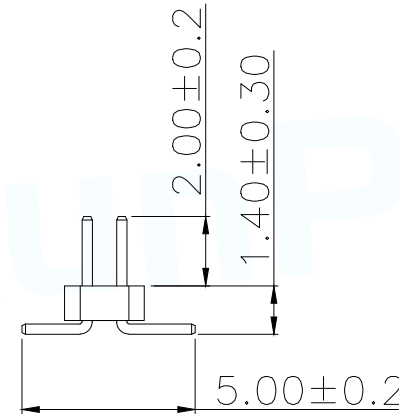
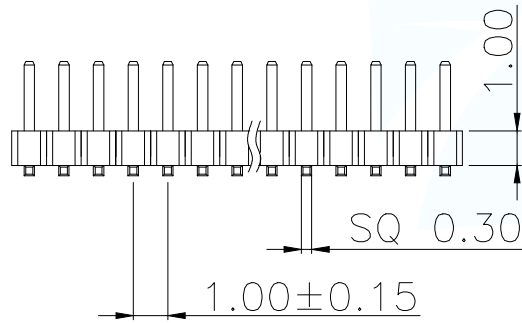


SPECIFICATIONS
 Current Rating:0.75 Amps
 Withstanding Voltage:AC 500V
 Insulation Resistance:1000MΩ Min
 Contact Resistance:20mΩ Max
 Operation Temperature:-40°to+105°
 Insrlator Material:Polyester(UL94V-0)
 Contact Material:Phosphor bronze
 Standard:PA6T
 Contact Plating:Gold Flash
 Max.Processing Temp:240°C for30-60seconds
 (260°C for5seconds)

P/N	PIN	DIM.A	DIM.B
PH1.0-02-01PWS	2*1	0.00	1.00
PH1.0-02-02PWS	2*2	1.00	2.00
PH1.0-02-03PWS	2*3	2.00	3.00
PH1.0-02-04PWS	2*4	3.00	4.00
PH1.0-02-05PWS	2*5	4.00	5.00
PH1.0-02-06PWS	2*6	5.00	6.00
PH1.0-02-07PWS	2*7	6.00	7.00
PH1.0-02-08PWS	2*8	7.00	8.00
PH1.0-02-09PWS	2*9	8.00	9.00
.....
PH1.0-02-40PWS	2*40	(PIN-1)	(PIN)



RECOMMEND P.C.B LAYOUT
 PCB TOLERANCE:±0.05 (TOP VIEW)

PART NUMBER DESCRIPTION:

PH1.0-02-NPWS

↑ (D=单排;S=双排)
 ↑ (Z=直脚;W=弯脚)
 ↑ (PIN数量;01.....50PIN)
 ↑ (排针开关)

MANUFACTURE DWG		东莞市讯普电子科技有限公司 DongGuan XunPu Electronics Co.,Ltd		
UNLESS OTHERWISE SPECIFIED TOLERANCES			TITLE:1.0PH H1.0 2xnPin SMT W2.3 PC5.0 PA2.0 PB1.4 L5.0 6T	
DECIMALS:	ANGLES:		PAR PH1.0-02-NPWS	
X.±0.30	X°±5'		DWN	
X.X±0.20	X.X°±1'		CHKD	
X.XX±0.10	X.XX°±0.5'	APVD		
CUSTOMER COPY		SCALE N:A	UNIT:MM	
		SIZE:A4	SHEET:1F1	
			REV:A	