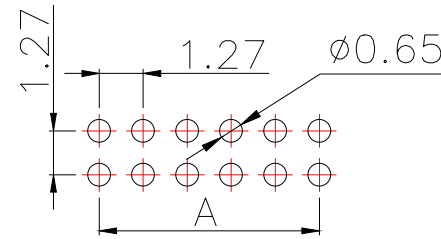
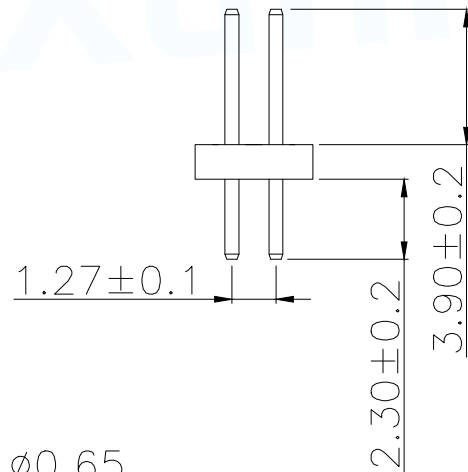
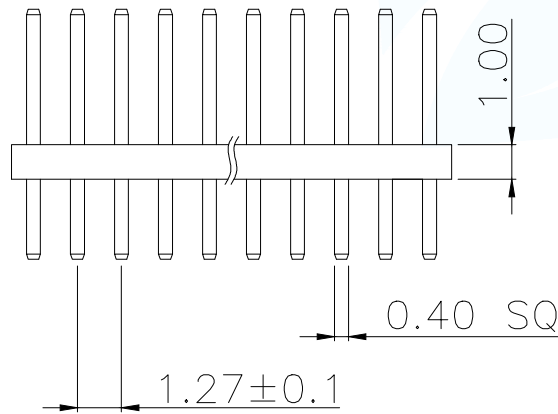


SPECIFICATIONS

Current Rating:1.0 Amps
 Withstanding Voltage:AC 500V
 Insulation Resistance:1000MΩ Min
 Contact Resistance:20mΩ Max
 Operation Temperature:-40° to+105°
 Insrlator Material:Polyester(UL94V-0)
 Contact Material:Brass
 Standard:PA6T
 Contact Plating:Gold Flash
 Max.Processing Temp: 240°C for30-60seconds
 (260°C for5seconds)

P/N	PIN	DIM.A	DIM.B
PH1.27-01-01PZS	2*1	0.00	1.27
PH1.27-01-02PZS	2*2	1.27	2.54
PH1.27-01-03PZS	2*3	2.54	3.81
PH1.27-01-04PZS	2*4	3.81	5.08
PH1.27-01-05PZS	2*5	5.08	6.35
PH1.27-01-06PZS	2*6	6.35	7.62
PH1.27-01-07PZS	2*7	7.62	8.89
PH1.27-01-08PZS	2*8	8.89	10.16
PH1.27-01-09PZS	2*9	10.16	11.43
.....
PH1.27-01-50PZS	2*50	(PIN-1)x1.27	(PIN)x1.27



RECOMMEND P.C.B LAYOUT
 PCB TOLERANCE:±0.05 (TOP VIEW)

PART NUMBER DESCRIPTION:

PH1.27-01-NPZS

(D=单排;S=双排)
 (Z=直脚;W=弯脚)
 (PIN数量;01.....50PIN)
 (排针开关)

MANUFACTURE DWG		东莞市讯普电子科技有限公司 DongGuan XunPu Electronics Co.,Ltd		
UNLESS OTHERWISE SPECIFIED TOLERANCES			TITLE:1.27PH H1.0 2xnPin 180度 W3.4 PC2.3 PA3.9 PB1.0 L7.2 6T	
DECIMALS:	ANGLES:		PAR PH1.27-01-NPZS	
X.±0.30	X'±5'		DWN	
X.X±0.20	X.X'±1'		CHKD	
X.XX±0.10	X.XX'±0.5'	APVD		
CUSTOMER COPY		SCALE N:A	UNIT:MM	
		SIZE:A4	SHEET:1F1	
			REV:A	