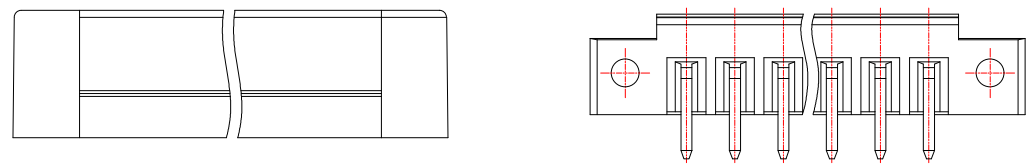
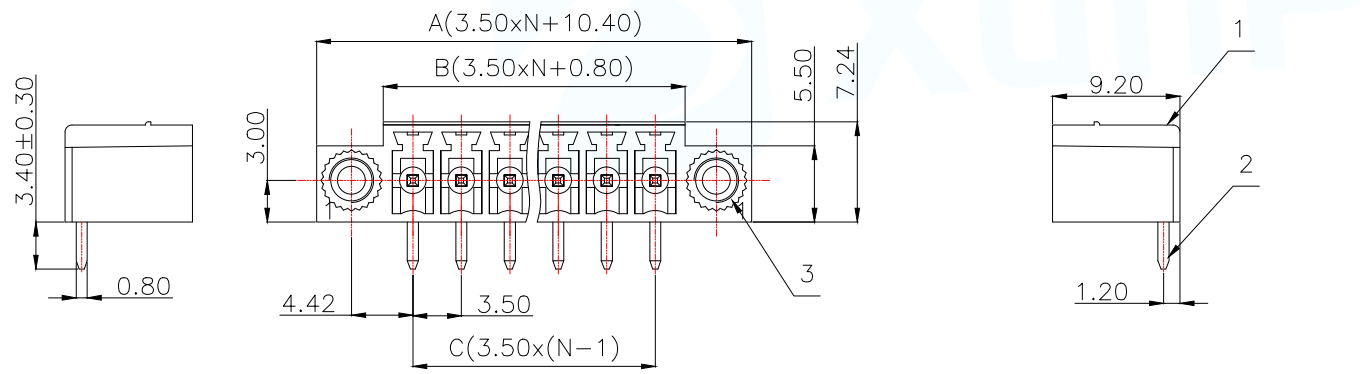


General tolerances(mm)														0.1/10
0 ~ 3	>3 ~ 6	>6 ~ 10	>10 ~ 18	>18 ~ 30	>30 ~ 50	>50 ~ 80	>80 ~ 120	>120 ~ 180	>180 ~ 250	>250 ~ 315	>315 ~ 400	>400 ~ 500	>500	
±0.12	±0.18	±0.22	±0.26	±0.31	±0.37	±0.57	±0.80	±0.93	±1.05	±1.15	±1.60	±2.20	±2.50	±2'

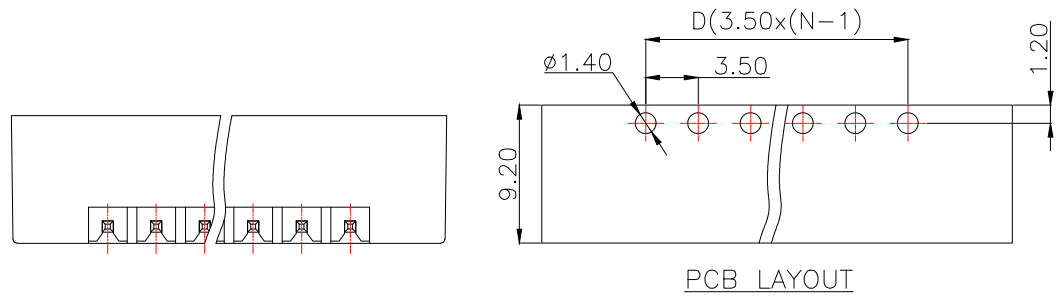
Product model	PIN	A	B	C	D
DGB350-2P22-MG361	2	17.40	7.80	3.50	3.50
DGB350-3P22-MG361	3	20.90	11.30	7.00	7.00
DGB350-4P22-MG361	4	24.40	14.80	10.50	10.50
DGB350-5P22-MG361	5	27.90	18.30	14.00	14.00
DGB350-6P22-MG361	6	31.40	21.80	17.50	17.50
DGB350-7P22-MG361	7	34.90	25.30	21.00	21.00
.....	....	.....	.....	.....	.....
DGB350-24P22-MG361	24	3.5xN+10.4	3.5xN+0.8	3.50x(N-1)	3.50x(N-1)



UL Standard	B	C	D
Rated Voltage(V)/Current(A)	300/8	/	300/8
IEC Standard			
Overvoltage Category/Pollution Degree	III/3	III/2	II/2
Rated Voltage(V)/Current(A)	/	/	250/7
Rate Impulse Voltage(KV)	/	/	2.5
Pitch(mm)/Poles	3.50/N=02~22P		
Operating temperature(°C)	-40C°~+105C°		
Conform to RoHS	Yes		



3	Screw cap	Copper Alloy	/
2	Pin	Copper Alloy	Sn Plated
1	Housing	PA66	UL94V-0
ITEM	NAME OF PART	MATERIAL	NOTES



MANUFACTURE DWG		东莞市讯普电子科技有限公司 DongGuan XunPu Electronics Co.,Ltd	
UNLESS OTHERWISE SPECIFIED TOLERANCES			TITLE: Socket-type terminal
DECIMALS:			PAR DGB350-NP22-MG361
ANGLES:			DWN
			CHKD
		APVD	
		SCALE N:A	UNIT:MM
		SIZE:A4	SHEET:1F1
		CUSTOMER COPY	REV:A