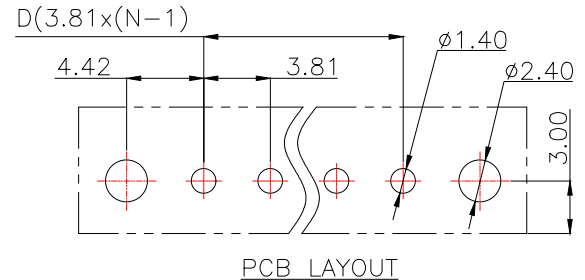
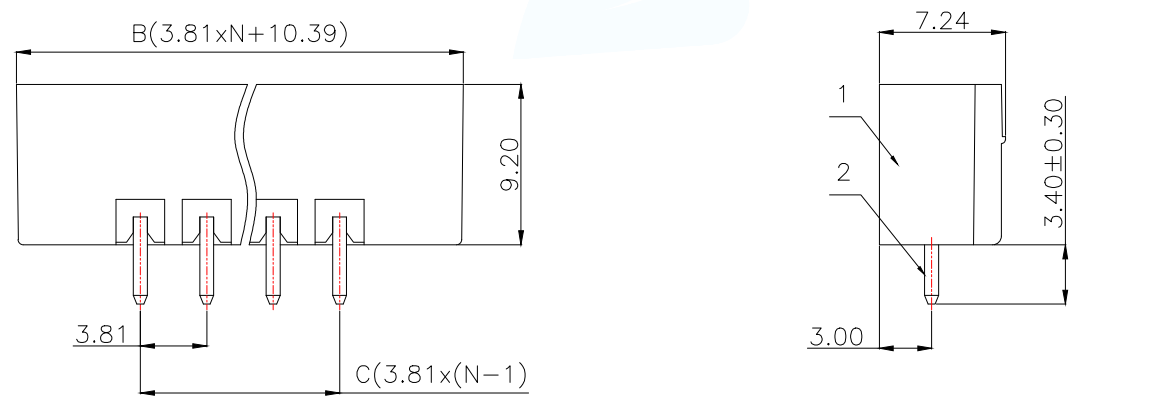
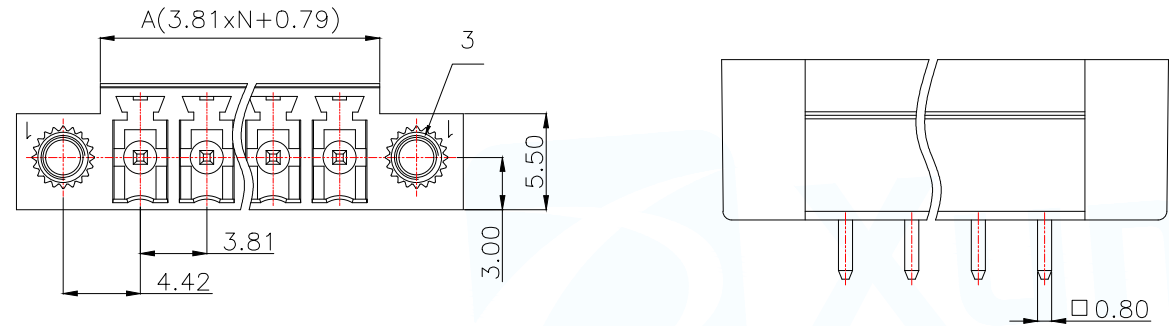


Product model	PIN	A	B	C	D
DGB381-2P12-MG361	2	8.41	18.01	3.81	3.81
DGB381-3P12-MG361	3	12.22	21.82	7.62	7.62
DGB381-4P12-MG361	4	16.03	25.63	11.43	11.43
DGB381-5P12-MG361	5	19.84	29.44	15.24	15.24
DGB381-6P12-MG361	6	23.65	33.25	19.05	19.05
DGB381-7P12-MG361	7	27.46	37.06	22.86	22.86
.....
DGB381-24P12-MG361	24	$3.81 \times N + 0.79$	$3.81 \times N + 10.39$	$3.81 \times (N - 1)$	$3.81 \times (N - 1)$

General tolerances(mm)										D				
0 ~ 3	>3 ~ 6	>6 ~ 10	>10 ~ 18	>18 ~ 30	>30 ~ 50	>50 ~ 80	>80 ~ 120	>120 ~ 180	>180 ~ 250		>250 ~ 315	>315 ~ 400	>400 ~ 500	>500
±0.12	±0.18	±0.22	±0.26	±0.31	±0.37	±0.57	±0.80	±0.93	±1.05	±1.15	±1.60	±2.20	±2.50	0.1/10 ±2'

UL Standard	B
Rated Voltage(V)/Current(A)	300/8
IEC Standard	
Overvoltage Category/Pollution Degree	II/2
Rated Voltage(V)/Current(A)	250/7
Rate Impulse Voltage(KV)	2.5
Pitch(mm)/Poles	3.81/N=02~24P
Operating temperature(°C)	-40~+105
Conform to RoHS	Yes



3	Screw cap	Copper alloy	M2.5
2	Pin	Copper alloy	Sn Plated
1	Housing	PA66	UL94V-0
ITEM	NAME OF PART	MATERIAL	NOTES

MANUFACTURE DWG		东莞市讯普电子科技有限公司 DongGuan XunPu Electronics Co.,Ltd	
UNLESS OTHERWISE SPECIFIED TOLERANCES			TITLE: Socket-type terminal
DECIMALS:			PAR DGB381-NP12-MG361
ANGLES:			DWN
			CHKD
		APVD	
		SCALE N:A	UNIT:MM
		SIZE:A4	SHEET:1F1
		CUSTOMER COPY	REV:A