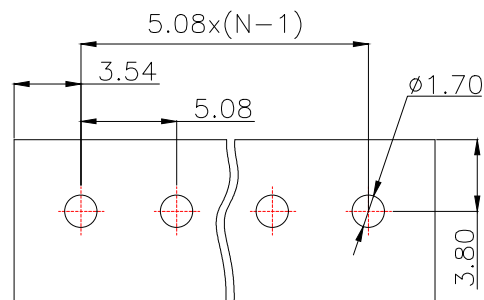
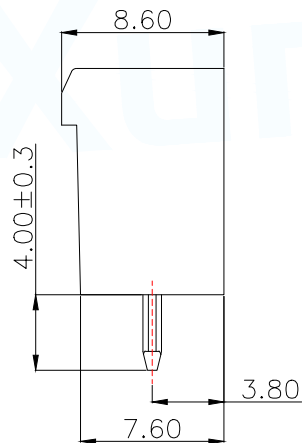
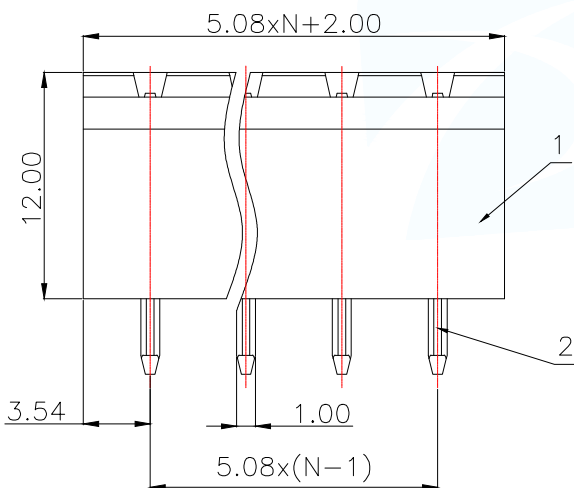
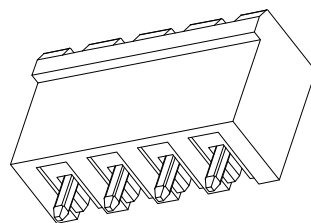
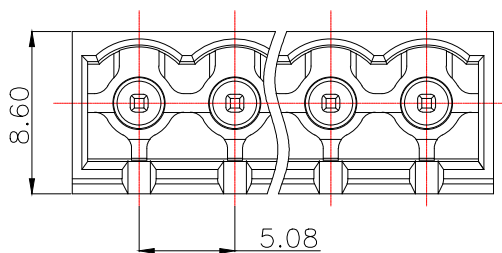


ROHS Compliant

General tolerances(mm)													D 0.1/10
0 ~ 3	>3 ~ 6	>6 ~ 10	>10 ~ 18	>18 ~ 30	>30 ~ 50	>50 ~ 80	>80 ~ 120	>120 ~ 180	>180 ~ 250	>250 ~ 315	>315 ~ 400	>400 ~ 500	
±0.12	±0.18	±0.22	±0.26	±0.31	±0.37	±0.57	±0.80	±0.93	±1.05	±1.15	±1.60	±2.20	±2.50



PCB LAYOUT

MAPX	MODIFICATION	DATE	DRAW	APPROVE
------	--------------	------	------	---------

Product model	PIN	A	B	C
DGB508-2P10-MG361	2	12.16	5.08	5.08
DGB508-3P10-MG361	3	17.24	10.16	10.16
DGB508-4P10-MG361	4	22.32	15.24	15.24
DGB508-5P10-MG361	5	27.40	20.32	20.32
DGB508-6P10-MG361	6	32.48	25.40	25.40
DGB508-7P10-MG361	7	37.56	30.48	30.48
.....
DGB508-24P10-MG361	24	5.08xN+2	5.08x(N-1)	5.08x(N-1)

UL Standard	B	C	D
Rated Voltage(V)/Current(A)	300/15	/	300/10
IEC Standard			
Overvoltage Category/Pollution Degree	III/3	III/2	II/2
Rated Voltage(V)/Current(A)	/	320/20	/
Rate Impulse Voltage(KV)	/	4	/
Pitch(mm)/Poles	5.08/N=02~24P		
Operating temperature(°C)	-40°C~+105°C		
Conform to RoHS	Yes		

2	Pin	Copper	Sn Plated
1	Housing	PA66	UL94V-0
ITEM	NAME OF PART	MATERIAL	NOTES

MANUFACTURE DWG		东莞市讯普电子科技有限公司 DongGuan XunPu Electronics Co.,Ltd	
UNLESS OTHERWISE SPECIFIED TOLERANCES			TITLE: Socket-type terminal
DECIMALS:			PAR DGB508-NP10-MG361
ANGLES:			DWN
			CHKD
		APVD	
		SCALE N:A	UNIT:MM
		SIZE:A4	SHEET:1F1
		CUSTOMER COPY	REV:A