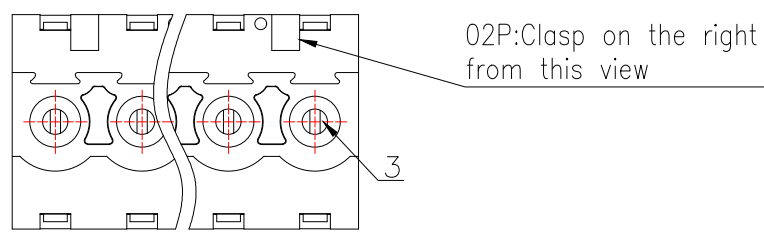
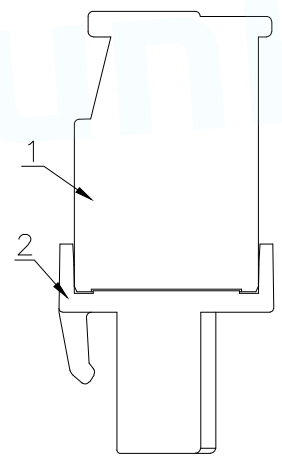
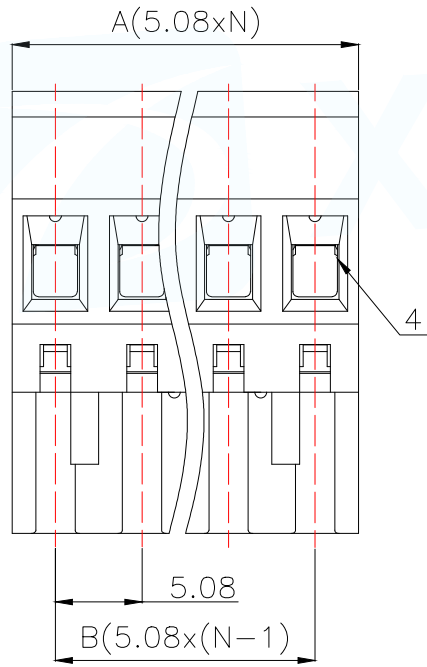
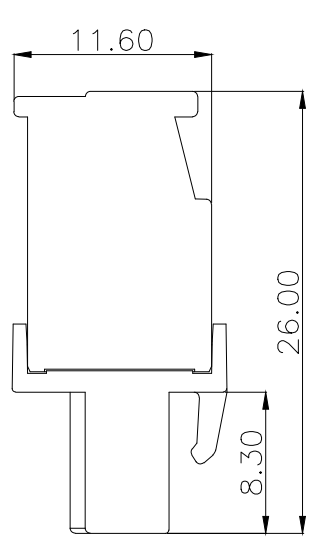
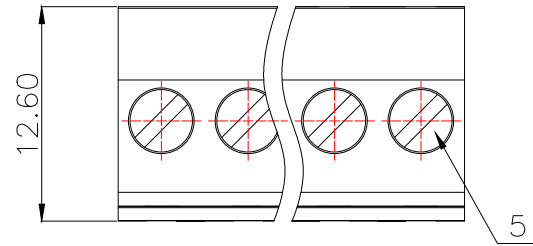


ROHS Compliant

General tolerances(mm)													0.1/10
0 ~ 3	>3 ~ 6	>6 ~ 10	>10 ~ 18	>18 ~ 30	>30 ~ 50	>50 ~ 80	>80 ~ 120	>120 ~ 180	>180 ~ 250	>250 ~ 315	>315 ~ 400	>400 ~ 500	
±0.12 ±0.18 ±0.22 ±0.26 ±0.31 ±0.37 ±0.57 ±0.80 ±0.93 ±1.05 ±1.15 ±1.60 ±2.20 ±2.50													±2'



MAPX	MODIFICATION	DATE	DRAW	APPROVE

Product model	PIN	A	B
DGB508-2P3K-GG361	2	10.16	5.08
DGB508-3P3K-GG361	3	15.24	10.16
DGB508-4P3K-GG361	4	20.32	15.24
DGB508-5P3K-GG361	5	25.40	20.32
DGB508-6P3K-GG361	6	30.48	25.40
DGB508-7P3K-GG361	7	35.56	30.48
.....	....	.....	.....
DGB508-24P3K-GG361	24	5.08xN	5.08x(N-1)

UL Standard	B	C	D
Rated Voltage(V)/Current(A)	300/15	/	300/10
IEC Standard			
Overvoltage Category/Pollution Degree	III/3	II/2	II/2
Rated Voltage(V)/Current(A)	/	320/18	/
Rate Impulse Voltage(KV)	/	4	/
Torque Tightening(N·m/Lb.in)	M3, 0.66/6.00		
Wire Range(rigid and flexible)(mm <sup>2</sup> /AWG)	1.0~2.5/28~12		
Pitch(mm)/Poles	5.08/N=02~24P		
Stripping length(mm)	7		
Operating temperature(°C)	-40~+105		
Conform to RoHS	Yes		

ITEM	NAME OF PART	MATERIAL	NOTES
5	Screw	Steel	M3/Zi Plated
4	Cage	Copper alloy	M3/Ni Plated
3	Clamp	Copper alloy	Sn plated
2	Cover	PA66	UL94V-0
1	Housing	PA66	UL94V-0

MANUFACTURE DWG				
UNLESS OTHERWISE SPECIFIED TOLERANCES			TITLE: Socket-type terminal	
DECIMALS:	ANGLES:		PAR	DGB508-NP3K-GG361
			DWN	
		CHKD		
		APVD		
		SCALE N:A	UNIT:MM	
		CUSTOMER COPY	SIZE:A4	SHEET:1F1
				REV:A