

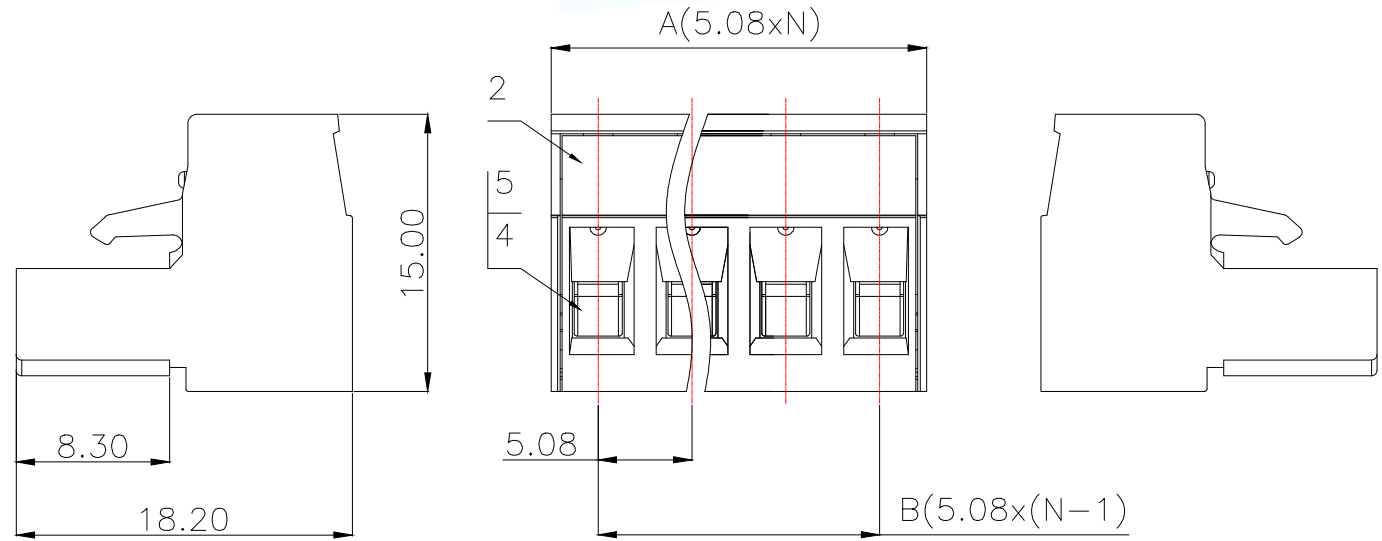
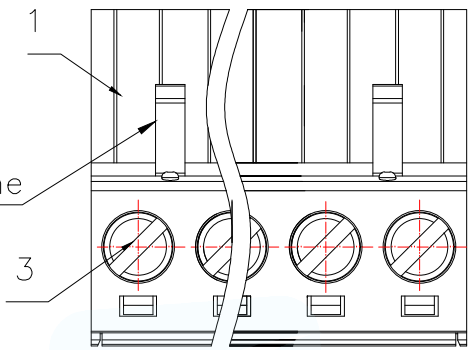
ROHS Compliant

General tolerances(mm)														0.1/10
0 ~ 3	>3 ~ 6	>6 ~ 10	>10 ~ 18	>18 ~ 30	>30 ~ 50	>50 ~ 80	>80 ~ 120	>120 ~ 180	>180 ~ 250	>250 ~ 315	>315 ~ 400	>400 ~ 500	>500	
±0.12	±0.18	±0.22	±0.26	±0.31	±0.37	±0.57	±0.80	±0.93	±1.05	±1.15	±1.60	±2.20	±2.50	

MAPX	MODIFICATION	DATE	DRAW	APPROVE

Product model	PIN	A	B
DGB508-2P4K-GG361	2	10.16	5.08
DGB508-3P4K-GG361	3	15.24	10.16
DGB508-4P4K-GG361	4	20.32	15.24
DGB508-5P4K-GG361	5	25.40	20.32
DGB508-6P4K-GG361	6	30.48	25.40
DGB508-7P4K-GG361	7	35.56	30.48
.....	....	.....	.....
DGB508-24P4K-GG361	24	5.08xN	5.08X(N-1)

02P: Clasp is on the left from this view



UL Standard	B	C	D
Rated Voltage(V)/Current(A)	300/15	/	300/10
IEC Standard			
Overvoltage Category/Pollution Degree	III/2		
Rated Voltage(V)/Current(A)	320/20		
Rate Impulse Voltage(KV)	4.0		
Torque Tightening(N.m/Lb.in)	M3 0.5/4.43		
Wire Range(rigid and flexible)(mm <sup>2</sup> /AWG)	1.0~2.5/28~12		
Pitch(mm)/Poles	5.08/N=02~24P		
Stripping length(mm)	7-8		
Operating temperature(°C)	-40~+105		
Conform to RoHS	Yes		

ITEM	NAME OF PART	MATERIAL	NOTES
5	Clamp	Copper alloy	Sn plated
4	Cage	Copper alloy	M3/Ni plated
3	Screw	Steel	M3/Ni plated
2	Cover	PA66	UL94V-0
1	Housing	PA66	UL94V-0

MANUFACTURE DWG		东莞市讯普电子科技有限公司 DongGuan XunPu Electronics Co.,Ltd	
UNLESS OTHERWISE SPECIFIED TOLERANCES			TITLE: Socket-type terminal
DECIMALS:			PAR DGB508-NP4K-GG361
ANGLES:			DWN
			CHKD
		APVD	
		SCALE N:A	UNIT:MM
		SIZE:A4	SHEET:1F1
		CUSTOMER COPY	REV:A