

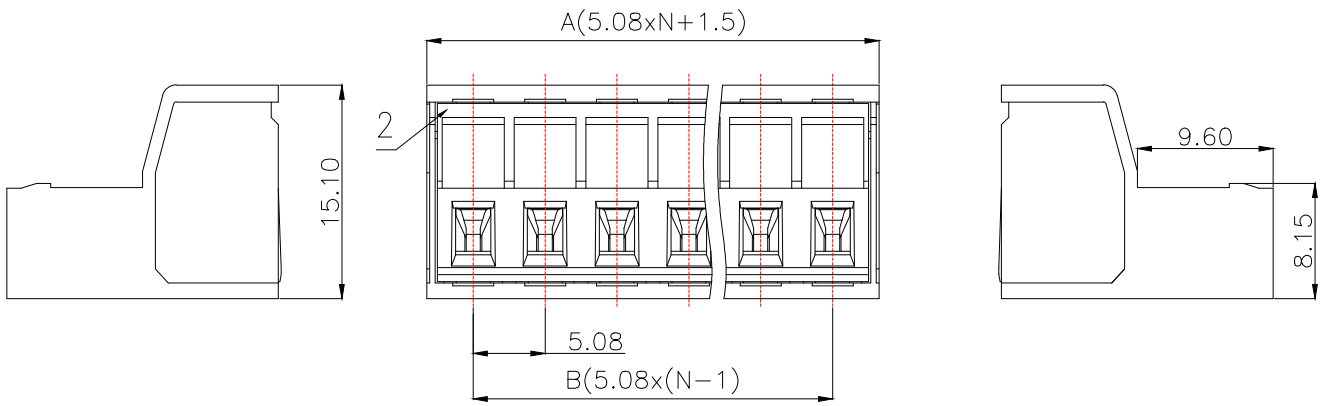
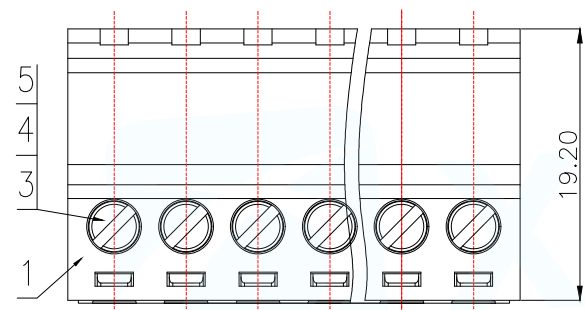
ROHS Compliant

MAPX	MODIFICATION	DATE	DRAW	APPROVE

General tolerances(mm)														0.1/10
0 ~ 3	>3 ~ 6	>6 ~ 10	>10 ~ 18	>18 ~ 30	>30 ~ 50	>50 ~ 80	>80 ~ 120	>120 ~ 180	>180 ~ 250	>250 ~ 315	>315 ~ 400	>400 ~ 500	>500	
±0.12	±0.18	±0.22	±0.26	±0.31	±0.37	±0.57	±0.80	±0.93	±1.05	±1.15	±1.60	±2.20	±2.50	±2°

Product model	PIN	A	B
DGB508-2P4B-GG361	2	11.66	5.08
DGB508-3P4B-GG361	3	16.74	10.16
DGB508-4P4B-GG361	4	21.82	15.24
DGB508-5P4B-GG361	5	26.90	20.32
DGB508-6P4B-GG361	6	31.98	25.40
DGB508-7P4B-GG361	7	37.06	30.48
.....
DGB508-24P4B-GG361	24	5.08xN+1.5	5.08X(N-1)

UL Standard	B	C	D
Rated Voltage(V)/Current(A)	300/15	/	300/10
IEC Standard			
Overvoltage Category/Pollution Degree	III/3	III/2	II/2
Rated Voltage(V)/Current(A)	/	320/20	/
Withstanding voltage(V/1Min)	AC2000		
Torque Tightening(N·m/Lb.in)	M2.5, 0.4/3.54		
Wire Range(rigid and flexible)(mm²/AWG)	0.2~2.5/28~12		
Pitch(mm)/Poles	5.08/N=02~24P		
Stripping length(mm)	7-8		
Operating temperature(°C)	-40~+105		
Conform to RoHS	Yes		



ITEM	NAME OF PART	MATERIAL	NOTES
5	Screws	Steel	M2.5/Zn Plated
4	Cage	Copper alloy	Ni plated
3	Pin	Copper	Sn plated
2	Cover	PA66	UL94V-0
1	Housing	PA66	UL94V-0

MANUFACTURE DWG			 东莞市讯普电子科技有限公司 DongGuan XunPu Electronics Co.,Ltd	
UNLESS OTHERWISE SPECIFIED TOLERANCES			TITLE: Socket-type terminal	
DECIMALS:			PAR	DGB508-NP4B-GG361
ANGLES:			DWN	
		CHKD		
		APVD		
		SCALE N:A	UNIT:MM	
		CUSTOMER COPY	SIZE:A4	
			SHEET:1F1	
			REV:A	