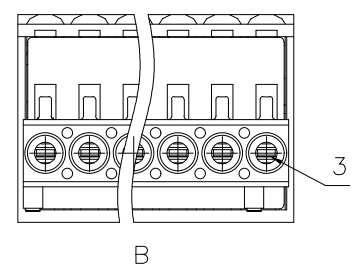
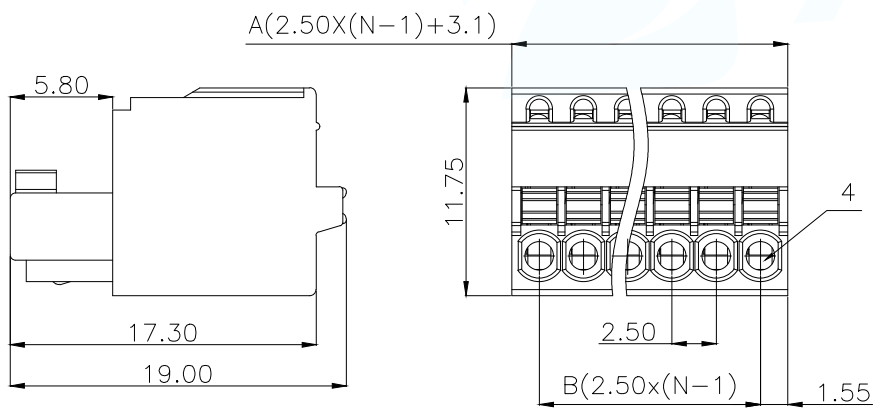
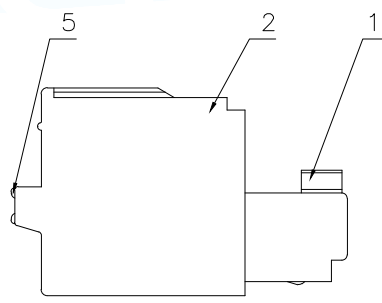
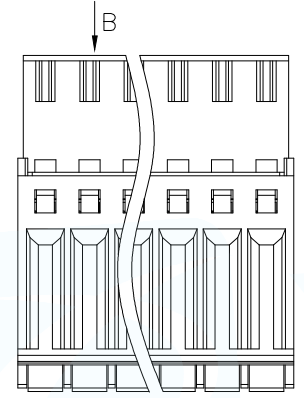
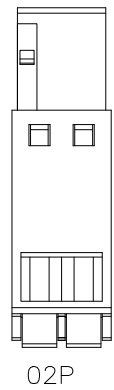


General tolerances(mm)														0.1/10
0 ~ 3	>3 ~ 6	>6 ~ 10	>10 ~ 18	>18 ~ 30	>30 ~ 50	>50 ~ 80	>80 ~ 120	>120 ~ 180	>180 ~ 250	>250 ~ 315	>315 ~ 400	>400 ~ 500	>500	
±0.12	±0.18	±0.22	±0.26	±0.31	±0.37	±0.57	±0.80	±0.93	±1.05	±1.15	±1.60	±2.20	±2.50	±2'

Product model	PIN	A	B
DGB250-2P33B-GG361	2	5.60	2.50
DGB250-3P33B-GG361	3	8.10	5.00
DGB250-4P33B-GG361	4	10.60	7.50
DGB250-5P33B-GG361	5	13.10	10.00
DGB250-6P33B-GG361	6	15.60	12.50
DGB250-7P33B-GG361	7	18.10	15.00
DGB250-7P33B-GG361	8	20.60	17.50
DGB250-7P33B-GG361	9	23.10	20.00
DGB250-7P33B-GG361	10	25.60	22.50
DGB250-7P33B-GG361	11	28.10	25.00
DGB250-7P33B-GG361	12	30.60	27.50



UL Standard	B	C	D
Rated Voltage(V)/Current(A)	150/4	150/4	150/4
IEC Standard			
Overvoltage Category/Pollution Degree	III/3	II/2	II/2
Rated Voltage(V)/Current(A)	/	/	250/5
Rate Impulse Voltage(KV)	/	/	2.5
Wire Range(rigid and flexible)(mm ² /AWG)	0.2~0.5/26~20		
Pitch(mm)/Poles	2.5/N=02~12P		
Stripping length(mm)	8.0		
Operating temperature(°C)	-40~+105		
Conform to RoHS	Yes		

ITEM	NAME OF PART	MATERIAL	NOTES
5	Button	POM	UL94HB
4	Spring	Stainless steel	/
3	Clamp	Copper alloy	Sn Plated
2	Housing	PA66	UL94V-0
1	Cover	PA66	UL94V-0

MANUFACTURE DWG				
UNLESS OTHERWISE SPECIFIED TOLERANCES			TITLE: Socket-type terminal	
DECIMALS:	ANGLES:	PAR	DGB250-NP33B-GG361	
		DWN		
		CHKD		
		APVD		
		SCALE N:A	UNIT:MM	⊕
		CUSTOMER COPY	SIZE:A4	SHEET:1F1
				REV:A