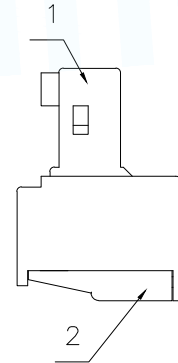
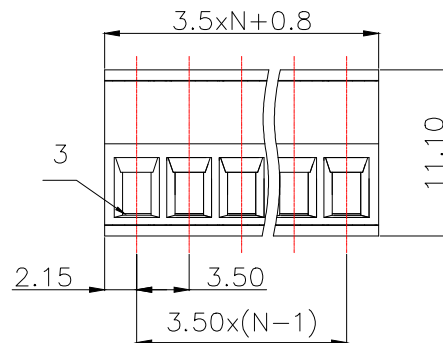
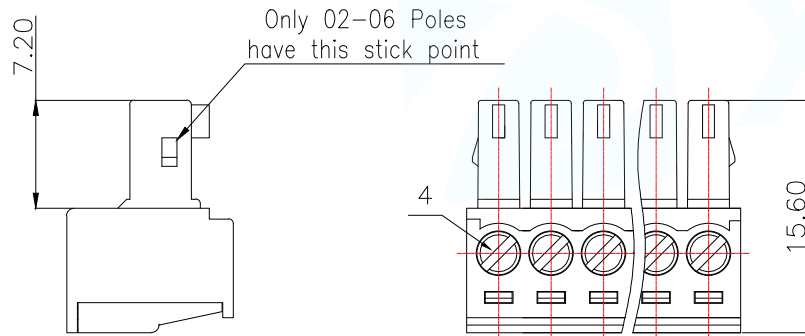
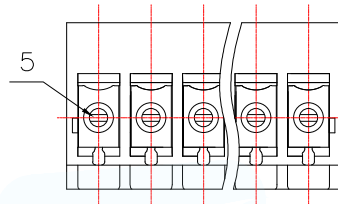


General tolerances(mm)

0 ~ 3	>3 ~ 6	>6 ~ 10	>10 ~ 18	>18 ~ 30	>30 ~ 50	>50 ~ 80	>80 ~ 120	>120 ~ 180	>180 ~ 250	>250 ~ 315	>315 ~ 400	>400 ~ 500	>500	0.1/1 0
±0.12	±0.18	±0.22	±0.26	±0.31	±0.37	±0.57	±0.80	±0.93	±1.05	±1.15	±1.60	±2.20	±2.50	



Product model	PIN	A	B
DGB350-2P3-GG361	2	7.80	3.50
DGB350-3P3-GG361	3	11.30	7.00
DGB350-4P3-GG361	4	14.80	10.50
DGB350-5P3-GG361	5	18.30	14.00
DGB350-6P3-GG361	6	21.80	17.50
DGB350-7P3-GG361	7	25.30	21.00
.....
DGB350-24P3-GG361	24	3.5xN+0.8	3.50x(N-1)

UL Standard	B	C	D
Rated Voltage(V)/Current(A)	300/8	/	300/8
IEC Standard			
Overvoltage Category/Pollution Degree	II/2		
Rated Voltage(V)/Current(A)	250/7		
Rate Impulse Voltage(KV)	2.5		
Torque Tightening(N·m/Lb.in)	M2, 0.2/1.77		
Wire Range(rigid and flexible)(mm ² /AWG)	0.5~1.5/28~16		
Pitch(mm)/Poles	3.50/N=02~24P		
Stripping length(mm)	6-7		
Operating temperature(°C)	-40C°~+105C°		
Conform to RoHS	Yes		

5	Clamp	Copper Alloy	Sn Plated
4	Screw	Steel	M2/Zn Plated
3	Cage	Copper Alloy	M2/Ni Plated
2	Cover	PA66	UL94V-0
1	Housing	PA66	UL94V-0
ITEM	NAME OF PART	MATERIAL	NOTES

MANUFACTURE DWG		东莞市讯普电子科技有限公司 DongGuan XunPu Electronics Co.,Ltd		
UNLESS OTHERWISE SPECIFIED TOLERANCES			TITLE: Socket-type terminal	
DECIMALS:			PAR	DGB350-NP3-GG361
ANGLES:			DWN	
			CHKD	
		APVD		
		SCALE N:A	UNIT:MM	
		CUSTOMER COPY	SIZE:A4	
			SHEET:1F1	
			REV:A	