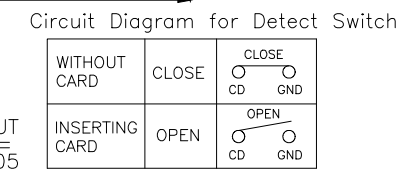
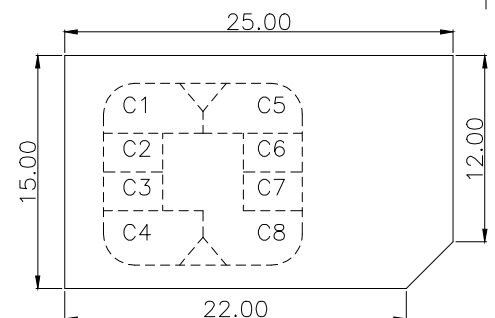


PAD AREA  
 KEEP OUT AREA



RECOMMENDED PCB LAYOUT  
 GENERAL TOLERANCE  $\pm 0.05$



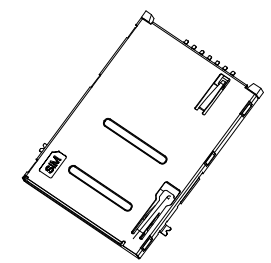
Notes:

1. Material:  
 Housing: LCP Color: black (塑胶材质: LCP 94-V0 黑色)  
 Contact: Phosphor Bronze. (端子材质: 磷青铜)  
 SHELL: SUS (外壳材质: 不锈钢)
2. All NI30u" Min Contact 1u", solder area Tin 30u/min (全部镀底30u", 接触点1u", 焊接处镀30u")
3. shell Ni 30" min, solder gold Flash (镀底30"u, 焊接处镀金)

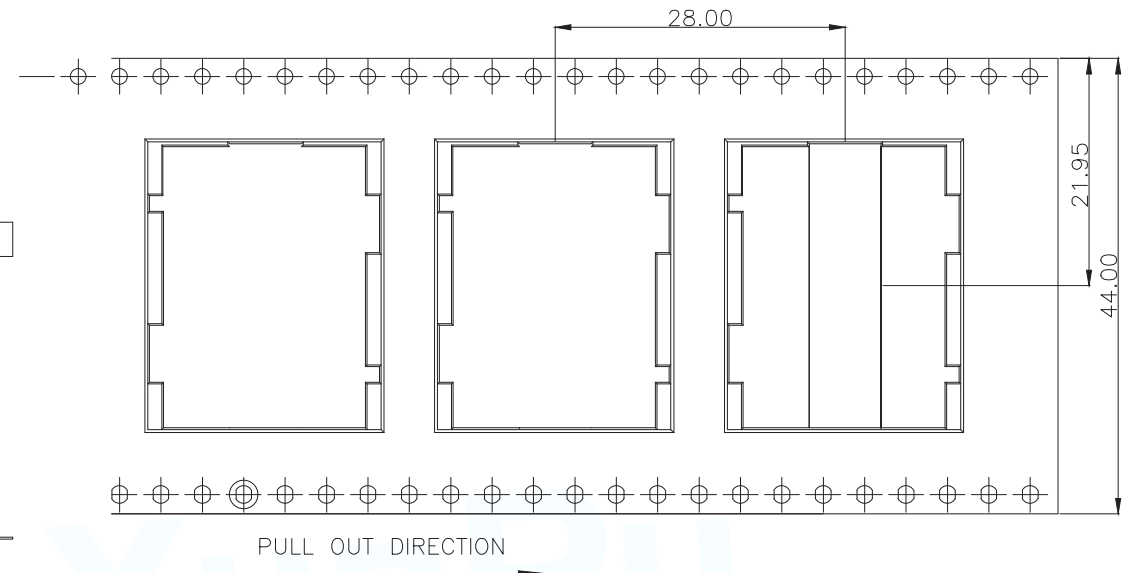
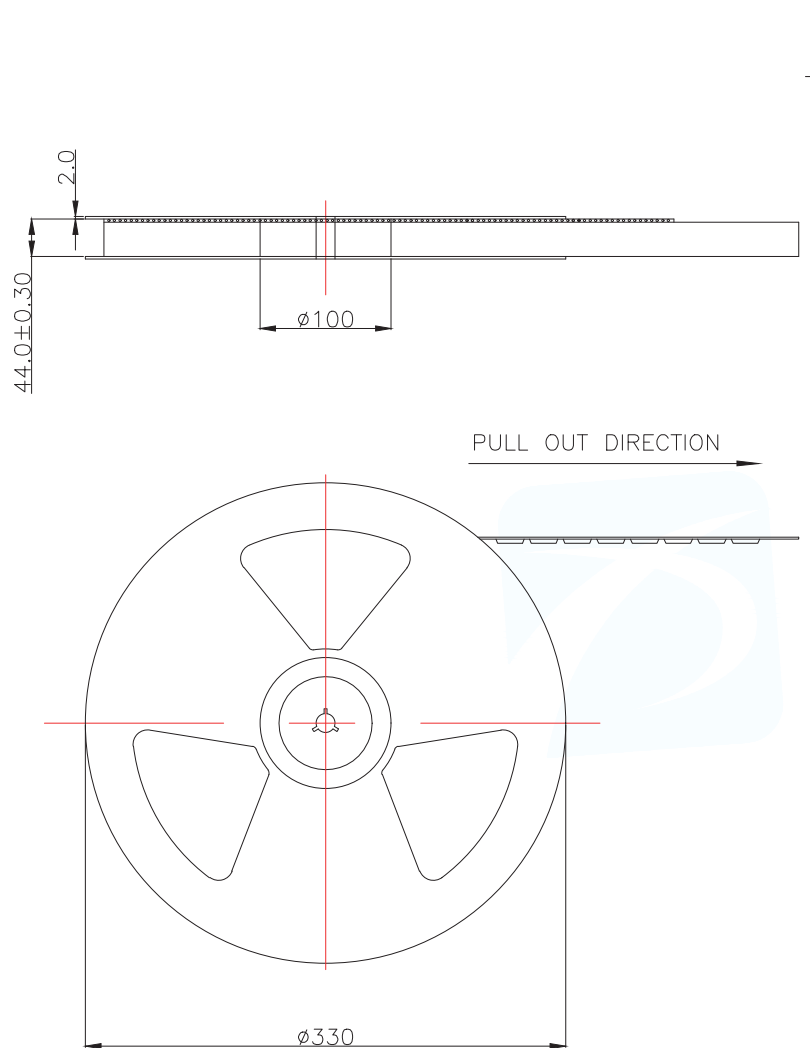
SPECIFICATION:

3. DURABILITY: 5000 CYCLES MIN (寿命: 5000次最小)
4. CURRENT: 0.5A (额定电流: 0.5Amps)
5. VOLTAGE: 40V MAX (额定电压: 40V最大)
6. WITHSTANDING VOLTAGE: 500V AC MIN. (UNMATED) (耐电压: 500V AC最小)
7. CONTACT RESISTANCE: 30mΩ MAX. (端子接触电阻: 30mΩ最大)
8. INSULATION RESISTANCE: 1000MΩ MIN. (UNMATED) (绝缘阻抗: 1000兆欧最小)
9. OPERATING TEMPERATURE RANGE: -40.C TO +85.C (工作环境: -40度到+80度)
10. ALL THE MATERIAL SHOULD COMPLY WITH THE ROHS (全部材质符合ROHS)

MINI SIM CARD	
Pin No.	NAME
C1	VCC OF SIM
C2	RST OF SIM
C3	CLK OF SIM
C5	GND OF SIM
C6	VPP OF SIM
C7	I/O OF SIM
C4/C8	N/A
CD	DETECTION SWITCH



MANUFACTURE DWG		东莞市讯普电子科技有限公司 DongGuan XunPu Electronics Co., Ltd	
UNLESS OTHERWISE SPECIFIED TOLERANCES			TITLE: MINI SIM CARD PUSH 6+1P 有柱右开关后脚
DECIMALS:	ANGLES:		PAR SIM-116-ACP7
X.X: $\pm 0.35$	X.X': $\pm 3^\circ$		DWN
X.XX: $\pm 0.25$	X.XX': $\pm 2^\circ$		CHKD
X.XXX: $\pm 0.15$		APVD	SCALE 1:1 UNIT: MM
CUSTOMER COPY		SIZE: A4	SHEET: 1F1
			REV: A



备注:

- 1: 定位孔与孔之间公差不得超过0.15mm
- 2: 所有尺寸均符合EIA-481-B要求.5.厚度:0.3±0.05mm.
- 3: 材质厚度:0.30+/-0.05mm
- 4: 每卷包装数量:500pcs.
- 5: 每箱1.5K或3K纸箱两种规格
- 6: 产品单重:1.3g/pcs
- 7: 纸箱规格为350\*350\*155 (1.5K)/350\*350\*315(3K)

MANUFACTURE DWG			 东莞市讯普电子科技有限公司 DongGuan XunPu Electronics Co.,Ltd	
UNLESS OTHERWISE SPECIFIED TOLERANCES			TITLE:MINI SIM CARD PUSH PUSH 6+1P 有柱有开关后脚 包装图	
DECIMALS:	ANGLES:	PAR	SIM-116-ACP7	
X.X:±0.35	X.X':±3'	DWN		
X.XX:±0.25	X.XX':±2'	CHKD		
X.XXX:±0.15		APVD		
		SCALE:1:1	UNIT:MM	
		CUSTOMER COPY	SIZE:A4	
				REV:A