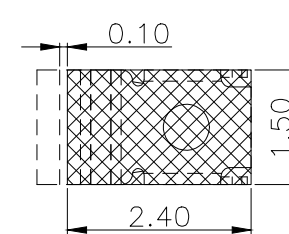
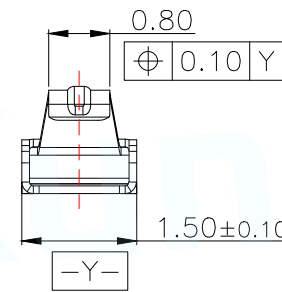
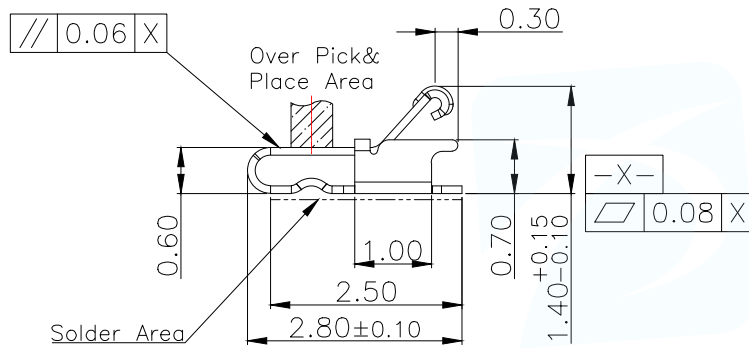


3D View

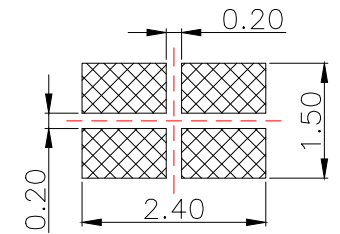
NOTES:

- 1: MATERIAL  
1-1: SUS-304 THICKNE=0.10MM
- 2: SPECIFICATIONS  
2-1: RATED CURRENT: 1.0A  
2-2: VOLTAGE RATING: 1.5V  
2-3: CONTACT RESISTANCE: 80mΩ/MAX  
2-4: WELDING THRUST: ≥3KG  
2-5: OPERATING TEMPERATURE: -40°C~+85°C
- 3: DURABILITY: 1500 CYCLES
- 4: SALT SPRAY TIME: 24H
- 5: ELECTROPLATE: THE NICKEL-PLATED SUBSTRATE IS 50μ" MIN
- 6: REQUIREMENTS  
6-1: TERMINAL TO EAT FULL TIN, NOT PEELING, WELDING OBVIOUS COLOR AND OTHER ADVERSE
- 6-2: ROHS, REACH, HF HALOGEN ADVERSE OF DOMESTIC AND INTERNATIONAL ENVIRONMENTAL REQUIREMENTS



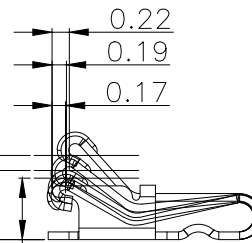
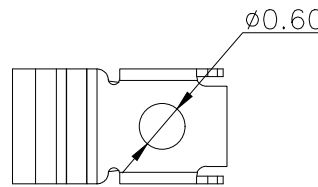
RECOMMENDED PCB LAYOUT

TOLERANCE: ±0.05MM  
(FOR REFERENCE ONLY)



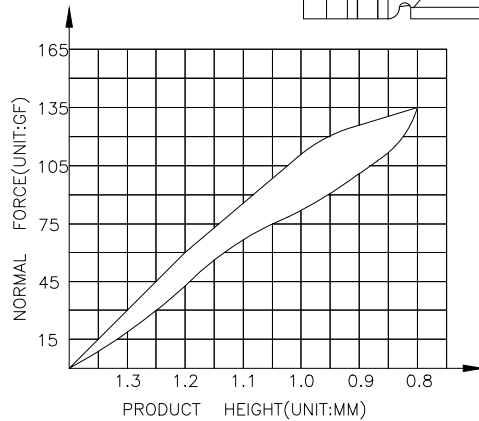
METAL MASK T=0.08

TOLERANCE: ±0.05MM  
(FOR REFERENCE ONLY)



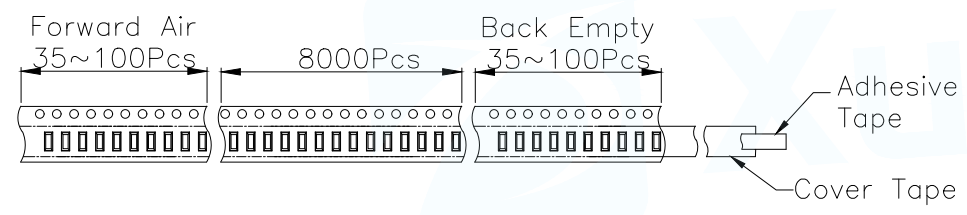
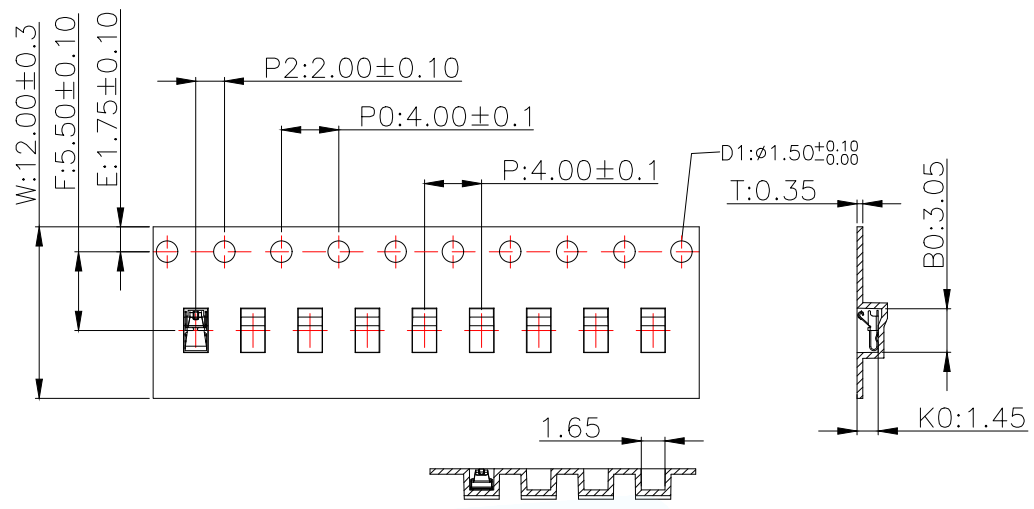
(For Reference Only)  
Stated At Compression

1.10(Max.Working Position)  
0.90(Working Position)  
0.80(Min.Working Position)

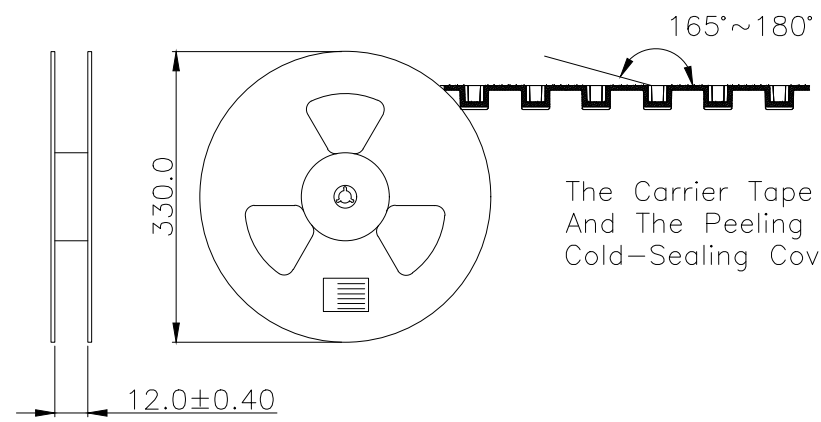


MANUFACTURE DWG		东莞市讯普电子科技有限公司 DongGuan XunPu Electronics Co.,Ltd	
UNLESS OTHERWISE SPECIFIED TOLERANCES		TITLE: 天线弹片 L2.80*W1.50*H1.40	
		PAR	ASP-D1401-A01
DECIMALS:	ANGLES:	DWN	
X. ±0.30	X. ° ±0.20	CHKD	
.X ±0.20	.X ° ±0.10	APVD	
.XX ±0.15	.XX ° ±0.5	SCALE N:A	UNIT:MM
		SIZE:A4	SHEET:1F1
		CUSTOMER COPY	REV:A

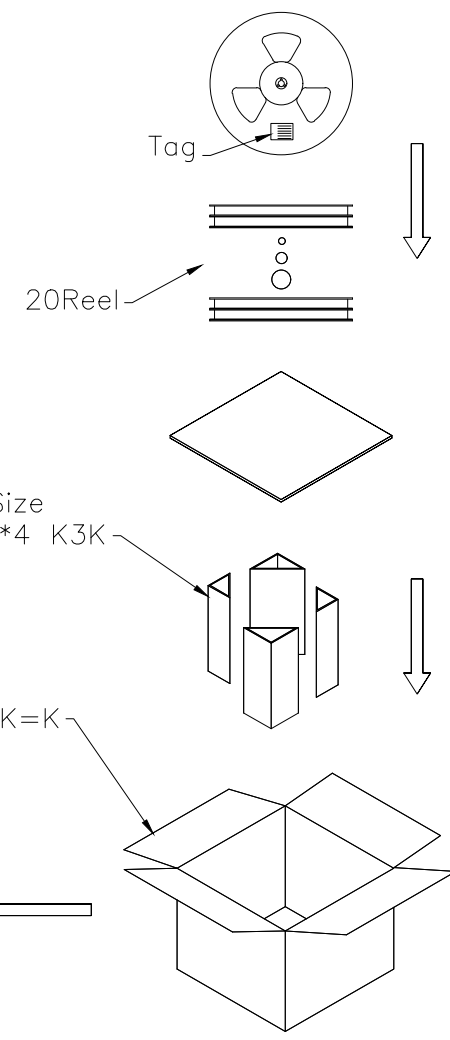
MAPX	MODIFICATION	DATE	DRAW	APPROVE



Customer To Use Direction Pull Out Direction (出料方向)



The Carrier Tape Is Cold-Sealed And The Peeling Angle Of The Cold-Sealing Cover Tape Is 165°~180°.



MANUFACTURE DWG		东莞市讯普电子科技有限公司 DongGuan XunPu Electronics Co.,Ltd	
UNLESS OTHERWISE SPECIFIED TOLERANCES		TITLE: 天线弹片 L2.80*W1.50*H1.40	
		PAR	ASP-D1401-A01
DECIMALS:	ANGLES:	DWN	
X. ±0.30	X. ° ±0.20	CHKD	
.X ±0.20	.X ° ±0.10	APVD	
.XX ±0.15	.XX ° ±0.5	SCALE N:A	UNIT:MM
		SIZE:A4	SHEET:1F1
		CUSTOMER COPY	REV:A

