

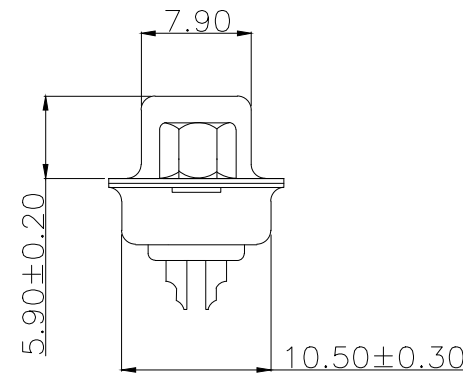
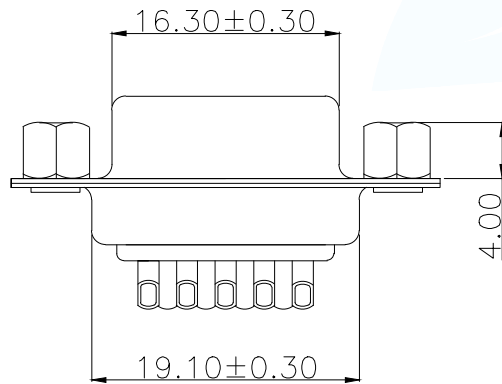
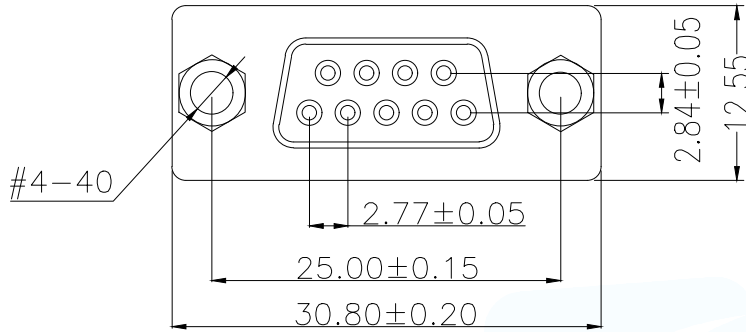
一、 MATERIAL:

1. Insulator: PBT+30%Glass Fiber
2. Contact: Brass
3. Contact Plated: Gold Flash over Tin Or Gold Plated Or Tin Plated
4. Shell: Steel, Nickel Plated

二、 SPECIFICATION:

1. Current Rating: 3 AMPS
2. Insulation Resistance: 100MΩ MIN. At 500VDC
3. Dielectric Strength: 500V for One minute
4. Operation Temperature: -55°C~+105°C.

*【胶芯颜色、防火要求、环保要求及电镀规格 依据客户实际订单要求为准】



MANUFACTURE DWG		 东莞市讯普电子科技有限公司 DongGuan XunPu Electronics Co.,Ltd	
UNLESS OTHERWISE SPECIFIED TOLERANCES			TITLE: DB9F传统前脚4.0空芯螺母
DECIMALS:	ANGLES:		PAR D-SUB-DB-9PBM-AB
.X:±0.30	.X':±1°		DWN Lucas
.XX:±0.25	.XX':±0.5°		CHKD Ethan
.XXX:±0.05	.XXX':±0.1°	CUSTOMER COPY	APVD Jacob
		SCALE:1:1	UNIT:MM
		SIZE:A4	SHEET:1F1
			REV:A