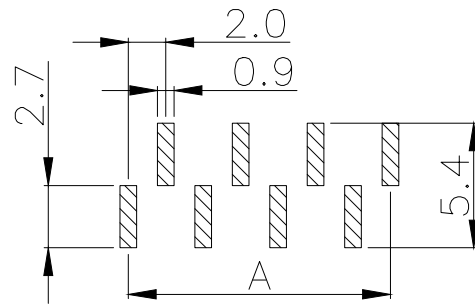
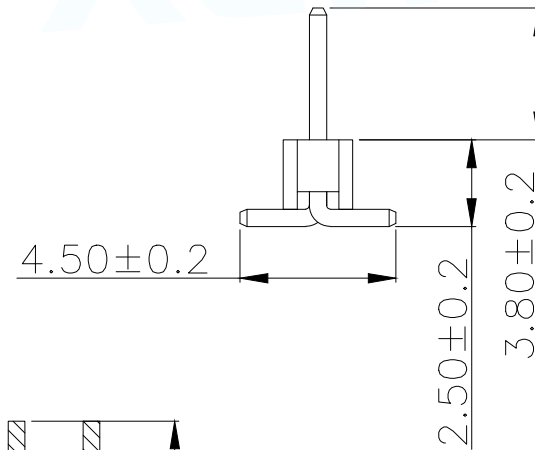
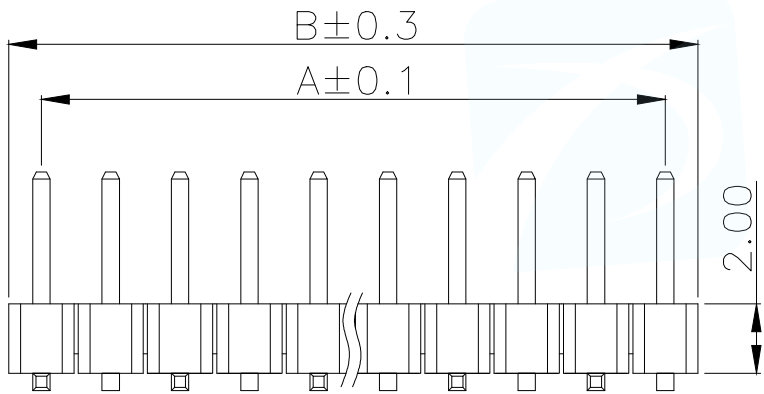


**SPECIFICATIONS**

Current Rating: 1.5 Amps  
 Insulation Resistance: 1000M $\Omega$  Min  
 Contact Resistance: 20m $\Omega$  Max  
 Withstanding Voltage: AC 500V  
 Operation Temperature: -40° to +105°  
 Contact Material: Brass  
 Standard: PA6T  
 Insulator Material: Polyester (UL 94V-0)  
 Contact Plating: Gold Flash  
 Max. Processing Temp: 240°C for 30-60 seconds (260°C for 5 seconds)

P/N	PIN	DIM.A	DIM.B
PH2.0-03-01PWD	1	0.00	2.00
PH2.0-03-02PWD	2	2.00	4.00
PH2.0-03-03PWD	3	4.00	6.00
PH2.0-03-04PWD	4	6.00	8.00
PH2.0-03-05PWD	5	8.00	10.00
PH2.0-03-06PWD	6	10.00	12.00
PH2.0-03-07PWD	7	12.00	14.00
PH2.0-03-08PWD	8	14.00	16.00
PH2.0-03-09PWD	9	16.00	18.00
.....	.....	.....	.....
PH2.0-03-40PWD	40	(PIN-1)x2.0	(PIN)x2.0



RECOMMEND P.C.B LAYOUT  
 PCB TOLERANCE: ±0.05 (TOP VIEW)

**PART NUMBER DESCRIPTION:**

PH2.0-03-NPWD

- (D=单排; S=双排)
- (Z=直脚; W=弯脚)
- (PIN数量; 01.....40PIN)
- (排针开关)

MANUFACTURE DWG		东莞市讯普电子科技有限公司 DongGuan XunPu Electronics Co.,Ltd		
UNLESS OTHERWISE SPECIFIED TOLERANCES			TITLE: 2.0PH H2.0 1xPin SMT PC4.5 PA3.8 PB2.5 L8.0 6T (左前右后)	
DECIMALS:	ANGLES:		PAR PH2.0-03-NPWD	
X.±0.30	X°±5'		DWN	
X.X±0.25	X.X°±1'		CHKD	
X.XX±0.20	X.XX°±0.5'	APVD		
CUSTOMER COPY		SCALE N:A	UNIT:MM	
		SIZE:A4	SHEET:1F1	
			REV:A	