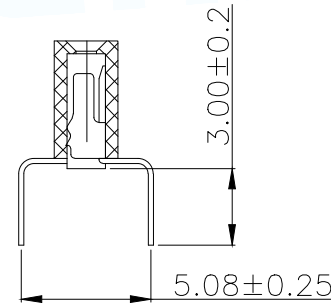
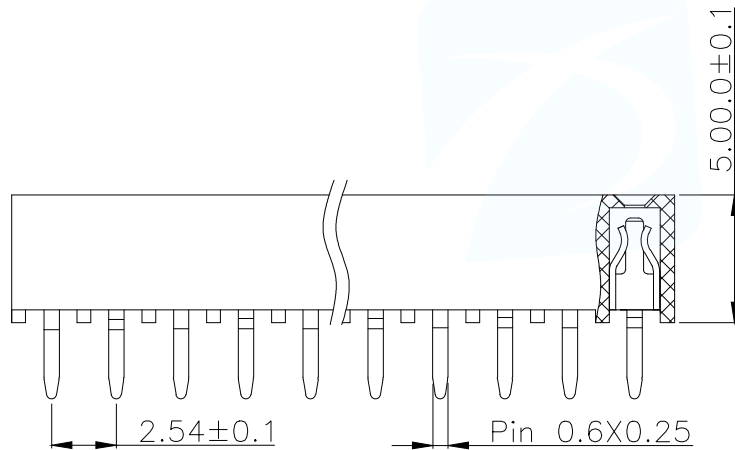


**SPECIFICATIONS**  
 Current Rating: 3Amps  
 Insulation Resistance: 1000MΩ Min  
 Contact Resistance: 20mΩ Max  
 Withstanding Voltage: AC 1000V  
 Operation Temperature: -40°to+105°  
 Contact Material: Brass  
 Standard: PBT  
 Insulator Material: Polyester(UL 94V-0)  
 Contact Plating: Gold Flash  
 Max.Processing Temp: 200°C for30-60seconds (220°C for5seconds)

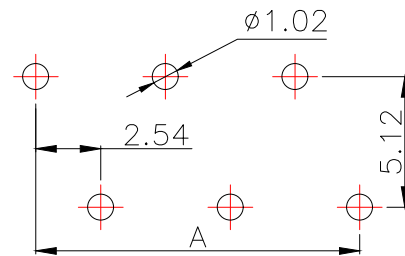
P/N	PIN	DIM.A	DIM.B
FH2.54-14-01PZD	1	0.00	2.54
FH2.54-14-02PZD	2	2.54	5.08
FH2.54-14-03PZD	3	5.08	7.62
FH2.54-14-04PZD	4	7.62	10.16
FH2.54-14-05PZD	5	10.16	12.70
FH2.54-14-06PZD	6	12.70	15.24
FH2.54-14-07PZD	7	15.24	17.78
FH2.54-14-08PZD	8	17.78	20.32
FH2.54-14-09PZD	9	20.32	22.86
.....	.....	.....	.....
FH2.54-14-40PZD	40	(PIN-1)X2.54	(PIN)X2.54



PART NUMBER DESCRIPTION:

FH2.54-14-NPZD

(D=单排;S=双排)  
 (Z=直脚;W=弯脚)  
 (PIN数量;01.....40PIN)  
 (排针开关)



RECOMMEND P.C.B LAYOUT  
 PCB TOLERANCE:±0.05 (TOP VIEW)

MANUFACTURE DWG		东莞市讯普电子科技有限公司 DongGuan XunPu Electronics Co.,Ltd	
UNLESS OTHERWISE SPECIFIED TOLERANCES		TITLE: 2.54FH H5.0 排针脚 (右前左后)	
		PAR	FH2.54-14-NPZD
DECIMALS:	ANGLES:	DWN	
X.±0.30	X°±5'	CHKD	
X.X±0.20	X.X°±1'	APVD	
X.XX±0.10	X.XX°±0.5'	SCALE N:A	UNIT:MM
		SIZE:A4	SHEET:1F1
		CUSTOMER COPY	REV:A