

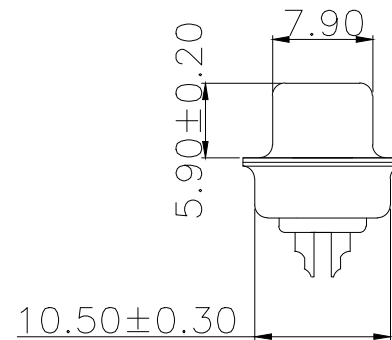
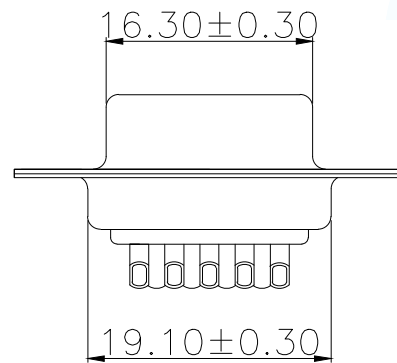
一、 MATERIAL:

- 1. Insulator: PBT+30%Glass Fiber
- 2. Contact: Brass
- 3. Contact Plated: Gold Flash over Tin Or Gold Plated Or Tin Plated
- 4. Shell: Steel, Nickel Plated

二、 SPECIFICATION:

- 1. Current Rating: 3 AMPS
- 2. Insulation Resistance: 100MΩ MIN. At 500VDC
- 3. Dielectric Strength: 500V for One minute
- 4. Operation Temperature: -55°C~+105°C.

✳【胶芯颜色、防火要求、环保要求及电镀规格 依据客户实际订单要求为准】



MANUFACTURE DWG			 东莞市讯普电子科技有限公司 DongGuan XunPu Electronics Co.,Ltd	
UNLESS OTHERWISE SPECIFIED TOLERANCES			TITLE: DB9F传统插座	
DECIMALS:	ANGLES:	PAR	D-SUB-DB-9PHM-AB	
.X:±0.30	.X':±1°	DWN	Lucas	
.XX:±0.25	.XX':±0.5°	CHKD	Ethan	
.XXX:±0.05	.XXX':±0.1°	APVD	Jacob	
CUSTOMER COPY		SCALE:1:1	UNIT:MM	
		SIZE:A4	SHEET:1F1	REV:A