

MAPX	MODIFICATION	DATE	DRAW	APPROVE

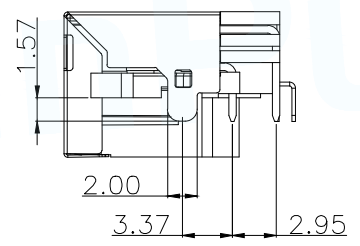
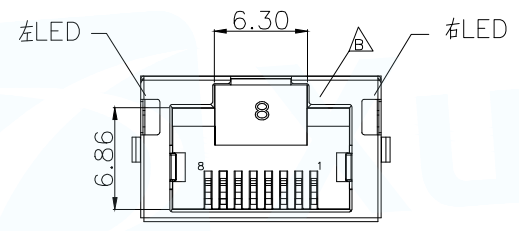
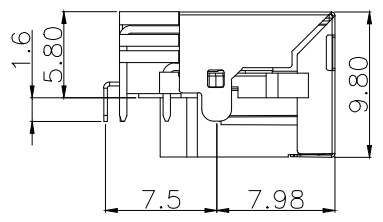
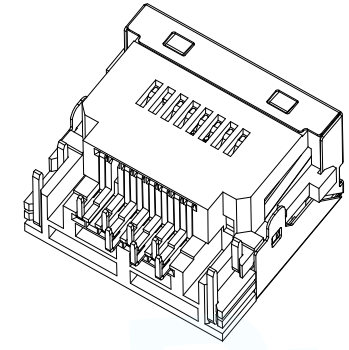
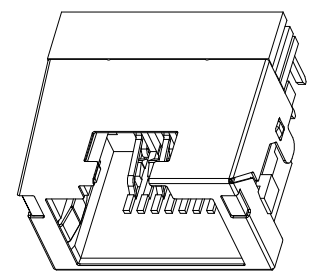
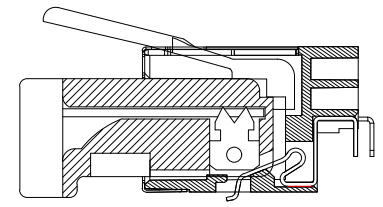
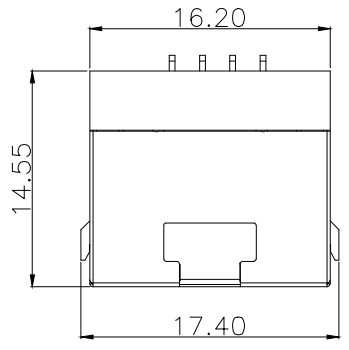
NOTES

MATERIAL
 1.HOUSING MATERIAL:THERMO PLASTICS UL94V-0 .
 2.CONTACT MATERIAL :PHOSPHOR BRONZE T=0.25mm.
 SELECT GOLD PLATING ON CONTACT AREA AND TIN PLATING ON SOLDER AREA OVER NICKEL.
 3.SHIELD: STAINLESS T=0.20mm NI PLATING.
 4.GASKET :SPCC T=0.40 NI PLATING.
 5.LED:TIN PLATING.

MELECTRICAL
 1.VOLTAGE RATING: 125 VAC RMS.
 2.CURRENT RATING: 1.5 AMP.
 3.CONTACT RESISTANCE: 40 MILLIOHMS MAX.
 4.INSULATION RESISTANCE: 500 MEGOHMS MIN @ 100V DC .
 5.DIELECTRIC DIELECTRIC RESISTANCE: 500V DC RMS 50Hz. 1MIN.

MECHANICAL
 1.DURRABILITY: 750 CYCLES MIN.
 2.MATING/UNMATING FORCE: 2.24 KG.F MAX.

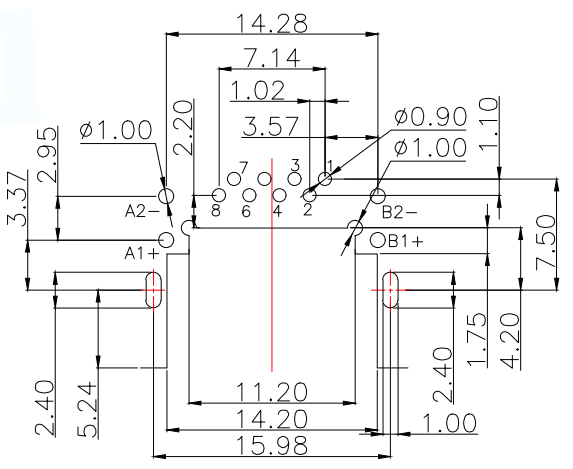
ENVIRONMENTAL:
 1.STORAGE: -40~+85.
 2.OPERATION: -40~+85.



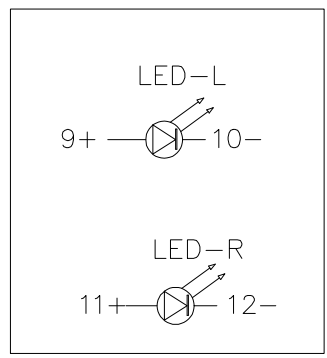
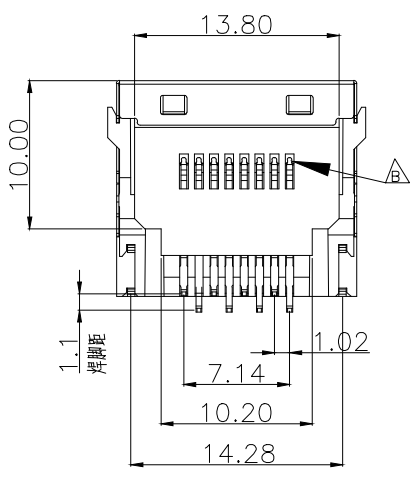
PART NUMBER DESCRIPTION:

RJ45-005-2XX-XX

- 电镀码
- 1-GOLD FLASH
- 3-3u''Au
- 流水码
- 1:LCP黑 盘装
- 2:LCP黑 卷装
- 3:LCP本 盘装
- 类别码
- 02:带壳 左黄右绿
- 03:带壳 左绿右黄



PCBLAYOUT T=1.2
 TOL:±0.05



8	—
7	—
6	RX-
5	—
4	—
3	RX+
2	TX-
1	TX+
PIN	说明

LED electrical characteristic		
Node		
A1(+)	A2(-)	A1- ∇ -A2
B1(+)	B2(-)	B1- ∇ -B2

MANUFACTURE DWG			东莞市讯普电子科技有限公司 DongGuan XunPu Electronics Co.,Ltd	
UNLESS OTHERWISE SPECIFIED TOLERANCES			TITLE: RJ45 沉板4.0 DIP带壳带灯	
DECIMALS:	ANGLES:	PAR	RJ45-005-202-11	
.X:±0.35	X':±3'	DWN		
.XX:±0.25	.X':±2'	CHKD		
.XXX:±0.15	.XX':±1'	APVD		
CUSTOMER COPY		SCALE:1:1	UNIT:MM	
		SIZE:A4	SHEET:1F1	REV:A