

NOTE:

- ELECTRICAL PERFORMANCE,
 - CURRENT RATING:5 AMPS. FOR TOTAL VBUS/GND PINS; 1.25AMPS FOR CC PIN,0.25 AMPS. FOR ALL OTHER CONTACT.
 - VOLTAGE RATING:20V DC/AC (RMS. MAX)
 - LLCR:..
- VBUS & GND PINS AND OTHER PINS: 40MΩ/PIN MAX. SHIELD:50MΩ/MAX. LLCR MAX. CHANGE OF ALL PINS: 10MΩ.
- INSULATION RESISTANCE: 100MΩ MIN
- DIELECTRIC WITHSTAND VOLTAGE,AC 100V FOR 1 MINUTE.
- MECHANICAL PERFORMANCE,
 - INSERTION FORCE: 5~20N.
 - EXTRACTION FORCE: 8~20N.
 - DURABILITY: 10000 CYCLES.
- ENVIRONMENTAL PERFORMANCE:
 - OPERATING TEMPERATURE: -25°C~+85°C.
 - IR REFLOW: THE PEAK TEMPERATURE ON THE BOARD SHALL BE MAINTAINED FOR 10 SECONDS AT 260°C.
- COMPLIANCE WITH ROHS REQUIREMENTS.
- SALT SPRAY:48H
- With "▲" for the key control size

TID NO.	2754
IEC62680-1-3认证	24B01N000452-001-COM

PIN DEFINITION:

PIN No.	A1			A4	A5	A6	A7	A8	A9			A12
SIGNAL NAME	GND			VBUS	CC1	D+	D-	SBU1	VBUS			GND
PIN No.	B12			B9	B8	B7	B6	B5	B4			B1
SIGNAL NAME	GND			VBUS	SBU2	D-	D+	CC2	VBUS			GND

TYPE:

4	SHELL	SUS304 1/2H T=0.30mm	NICKEL 30u" MIN PLATING	1PCS
3	SHIELDING PLATE	SUS301 3/4H T=0.15mm	---	1PCS
2	CONTACT	C18400-H T=0.12mm	N 50u" MIN. UNDER PLATED OVER ALL Au 3u" PLATED ON THE FUNCTIONAL AREA OF CONTACT. PLATING 6/F OF THE SOLDER AREA	2SET
1	HOUSING	PA9T/LCP UL94V-0	BLACK/BLUE	1PCS
NO.	DESCRIPTION	MATERIAL	REMARKS	QTY

MANUFACTURE DWG

UNLESS OTHERWISE SPECIFIED TOLERANCES

DECIMALS: .X:±0.30 .XX:±0.20 .XXX:±0.10

ANGLES: ±3'

CUSTOMER COPY

东 莞 市 讯 普 电 子 科 技 有 限 公 司
DongGuan XunPu Electronics Co.,Ltd

TITLE:USB CF 16PIN(L=6.5)
沉板O. 3壳带弹片款

PAR TYPE-C-609-WFRSC080

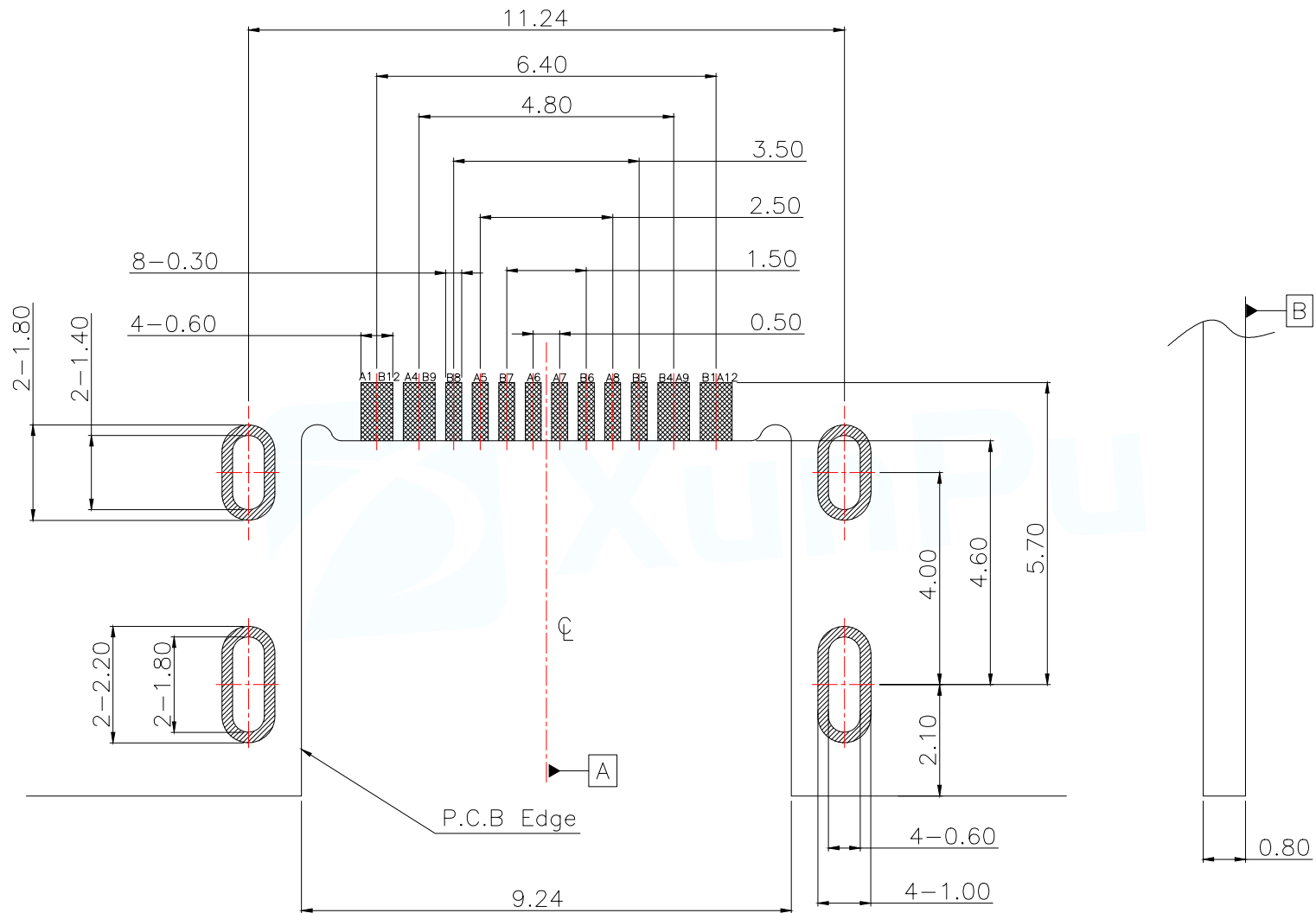
DWN

CHKD

APVD

SCALE:1:1 UNIT:MM

SIZE:A4 SHEET:1F1 REV:A



Recommended PCB Layout
 General Tolerance ± 0.05
 SCALE:2:1

MANUFACTURE DWG		 东莞市讯普电子科技有限公司 DongGuan XunPu Electronics Co.,Ltd		
UNLESS OTHERWISE SPECIFIED TOLERANCES			TITLE:USB CF 16PIN(L=6.5) 沉板O.8外壳带弹片款	
DECIMALS:	ANGLES:		PAR TYPE-C-609-WFRSC080	
.X: ± 0.30	$\pm 3^\circ$		DWN	
.XX: ± 0.20			CHKD	
.XXX: ± 0.10		APVD		
CUSTOMER COPY		SCALE 1:1	UNIT:MM	
		SIZE:A4	SHEET:1F1	
			REV:A	