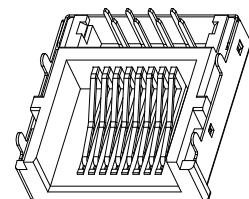


所有脚位尺寸以过孔规为准



NOTES:

1. HOUSING:GLASS FILLED POLYESTER UL94V-0.
2. CONTACT:PHOSPHOR BRONZE T=0.3.
3. PLATING:GOLD PLATED ON CONTACT AREA, 100u"MIN. TIN PLATED ON SOLDERING AREA, 50u"MIN. NICKEL PLATED OVERALL.
4. SHELL:BRASS,T=0.20. WITH NICKEL PLATED.

ELECTRICAL:

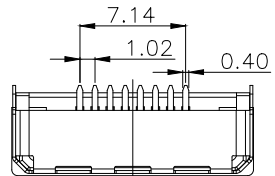
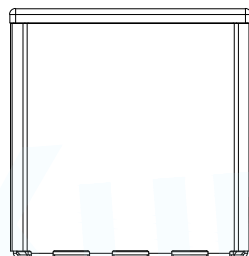
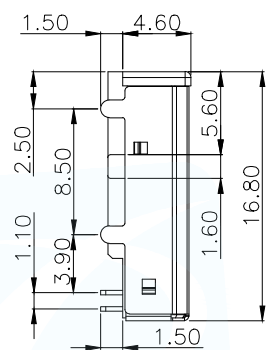
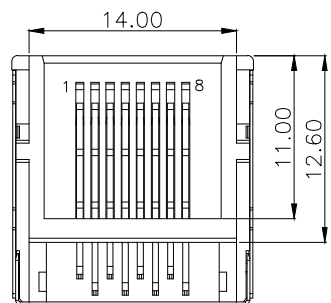
1. VOLTAGE RATING: 125V AC RMS.
2. CURRENT RAIING: 1.5AMP.
3. CONTACT RESISTANCE: 30MILLIOHMS MAX.
4. INSULATION RESISTANCE: 500MEGOHMS MIN @500V DC.

MECHANICAL:

1. DURRABILITY: 750 CYCLES MIN.
2. MATING/UNMATING FORCE: 2.24 KG.F MAX.

ENVIRONMENTAL:

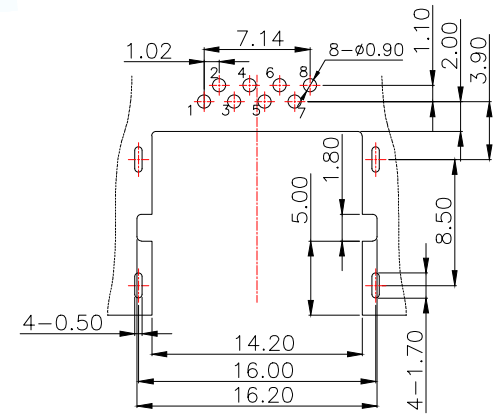
1. STORAGE: -40°C~85°C
 2. OPERATION: -40°C~85°C
 3. REFLOW SOLDERING Temperature,255±5°C.
- *Apply to the EU standards(ROSH)



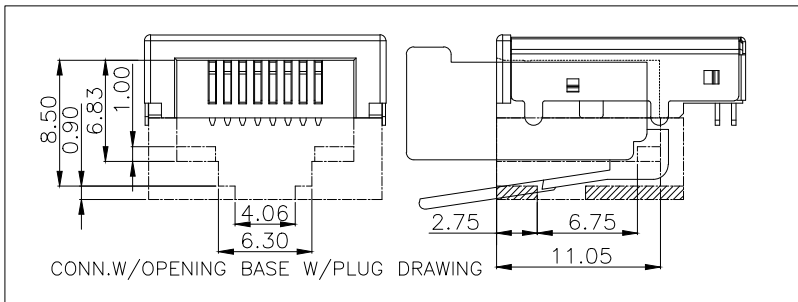
PART NUMBER DESCRIPTION:

RJ45-107-011-XX

- 电镀码
- 1-GOLD FLASH
- 3-3u''Au
- 流水码
- 1:LCP黑 盘装
- 2:LCP黑 卷装



PCBLAYOUT
TOL:±0.05



8	—
7	—
6	RX-
5	—
4	—
3	RX+
2	TX-
1	TX+
PIN	说明

MANUFACTURE DWG		东莞市讯普电子科技有限公司 DongGuan XunPu Electronics Co.,Ltd	
UNLESS OTHERWISE SPECIFIED TOLERANCES			TITLE: RJ45 沉板1.0 DIP 铜壳无灯
DECIMALS:	ANGLES:		PAR RJ45-107-011-11
.X:±0.35	X':±3'		DWN
.XX:±0.25	.X':±2'		CHKD
.XXX:±0.15	.XX':±1'	APVD	SCALE:1:1 UNIT:MM
CUSTOMER COPY		SIZE:A4	SHEET:1F1
			REV:A