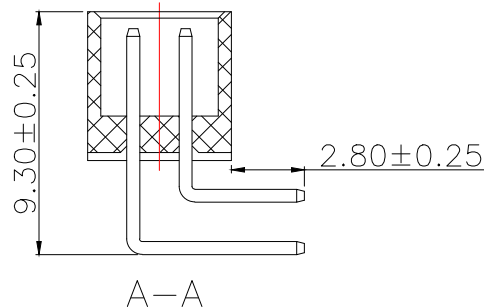
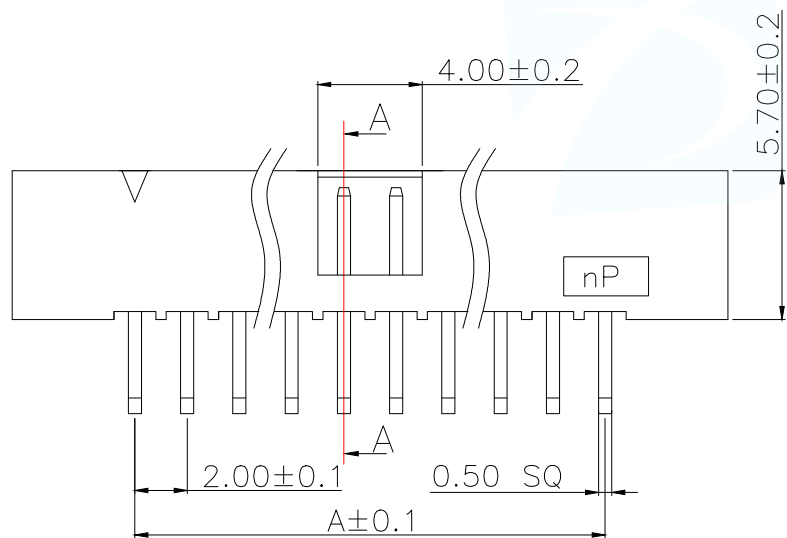


SPECIFICATIONS

Current Rating: 1.5 Amps
 Insulation Resistance: 1000MΩ, Min
 Contact Resistance: 20mΩ, Max
 Withstanding Voltage: AC 500V
 Operation Temperature: -40°to+105°
 Contact Material: Brass
 Standard: PA6T
 Insulator Material: Polyester(UL 94V-0)
 Contact Plating: Gold Flash
 Max.Processing Temp: 240°C for30-60seconds
 (260°C for5seconds)

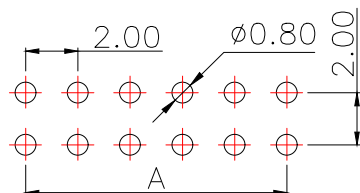
P/N	PIN	DIM.A	DIM.B
IDC2.0-05-03PWS	2*3	4.00	6.00
IDC2.0-05-04PWS	2*4	6.00	8.00
IDC2.0-05-05PWS	2*5	8.00	10.00
IDC2.0-05-06PWS	2*6	10.00	12.00
IDC2.0-05-07PWS	2*7	12.00	14.00
IDC2.0-05-08PWS	2*8	14.00	16.00
IDC2.0-05-09PWS	2*9	16.00	18.00
IDC2.0-05-10PWS	2*10	18.00	20.00
IDC2.0-05-11PWS	2*11	20.00	22.00
.....
IDC2.0-05-35PWS	2*35	PIN-2.00	PIN



PART NUMBER DESCRIPTION:

IDC2.0-05-NPWS

(D=单排;S=双排)
 (Z=直脚;W=弯脚)
 (PIN数量;06.....70PIN)
 (排针开关)



RECOMMEND P.C.B LAYOUT
 PCB TOLERANCE:±0.05 (TOP VIEW)

MANUFACTURE DWG		东莞市讯普电子科技有限公司 DongGuan XunPu Electronics Co.,Ltd		
UNLESS OTHERWISE SPECIFIED TOLERANCES			TITLE:2.0DC3-nPin H5.7 90度 PC2.8 PB9.3 L10.5/14.5 6T	
DECIMALS:	ANGLES:		PAR IDC2.0-05-NPWS	
X.±0.30	X°±5'		DWN	
X.X±0.20	X.X'±1'		CHKD	
X.XX±0.10	X.XX'±0.5'	APVD		
CUSTOMER COPY		SCALE N:A	UNIT:MM	
		SIZE:A4	SHEET:1F1	
			REV:A	