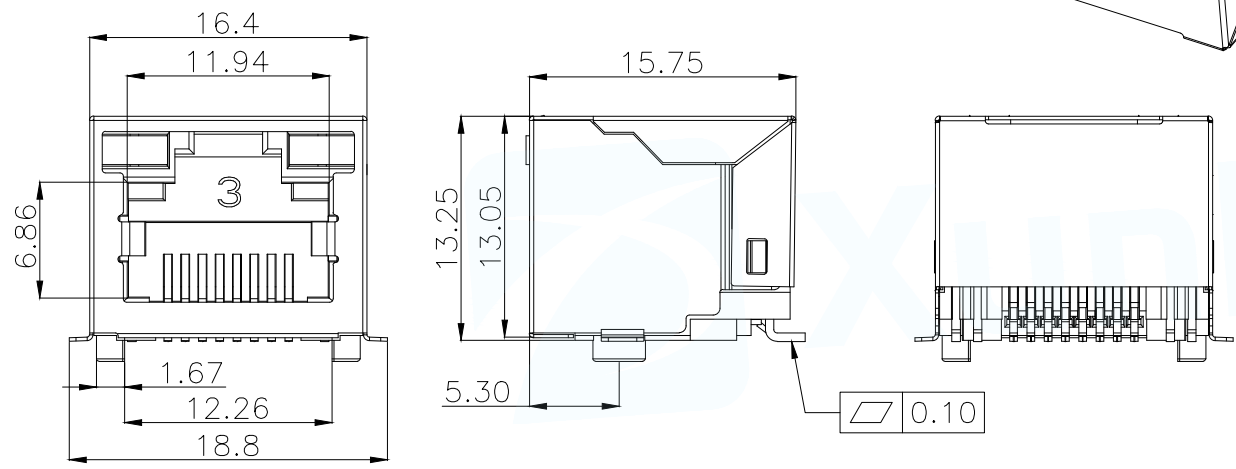
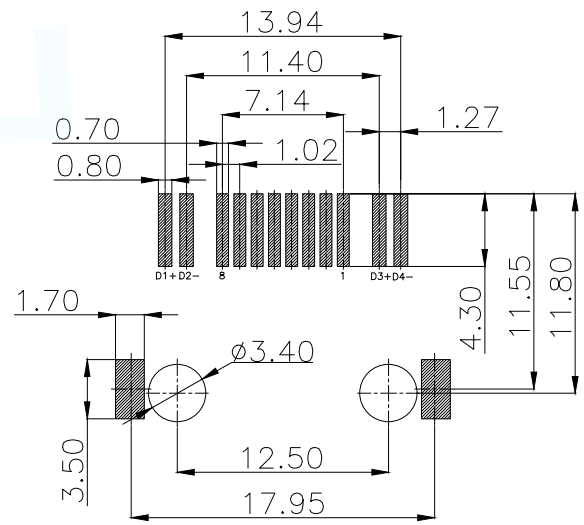


NOTES

- MATERIAL
- 1.HOUSING MATERIAL : LCP UL94V-0 BLACK.
 - 2.CONTACT MATERIAL : PHOSPHOR BRONZE T=0.3mm.
 - 3.PLATING : GOLD PLATING ON CONTACT AREA,TIN PLATING ON SOLDER AREA, NICKEL PLATING OVER ALL.
 - 4.SHIELD : 0.20mm THICKNESS COPPER ALLOY WITH NICKEL PLATED.
- ELECTRICAL
- 1.VOLTAGE RATING : 125 VAC RMS.
 - 2.CURRENT RATING : 1.5 AMP.
 - 3.CONTACT RESISTANCE : 40 MILLIOHMS MAX.
 - 4.INSULATION RESISTANCE : 500 MEGOHMS MIN @ 100V DC .
 - 5.DIELECTRIC DIELECTRIC RESISTANCE : 500V DC RMS 50Hz. 1MIN.
- MECHANICAL
- 1.DURRABILITY : 750 CYCLES MIN.
 - 2. MATING/UNMATING FORC: 2.24 KG.F MAX.
- ENVIRONMENTAL:
- 1.OPERATION : -40℃~+85℃.
 - 2.STORAGE : -40℃~+85℃.



8	///
7	///
6	RX-
5	///
4	///
3	RX+
2	TX-
1	TX+
PIN	说明

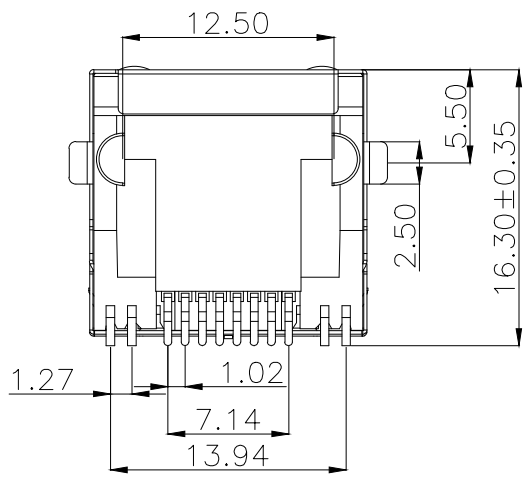


PART NUMBER DESCRIPTION:

RJ45-206-022-XX

流水码

- 07:无弹左黄右绿GF LCP黑盘装
- 08:无弹左黄右绿GF LCP黑卷装



MANUFACTURE DWG		东莞市讯普电子科技有限公司 DongGuan XunPu Electronics Co.,Ltd	
UNLESS OTHERWISE SPECIFIED TOLERANCES			TITLE: RJ45无弹左黄右绿GF LCP黑
DECIMALS:	ANGLES:		PAR RJ45-206-022-08
.X:±0.35	X':±3'		DWN
.XX:±0.25	.X':±2'		CHKD
.XXX:±0.15	.XX':±1'	APVD	SCALE 1:1 UNIT:MM
CUSTOMER COPY		SIZE:A4	UNIT:MM
		SHEET:1F1	REV:A