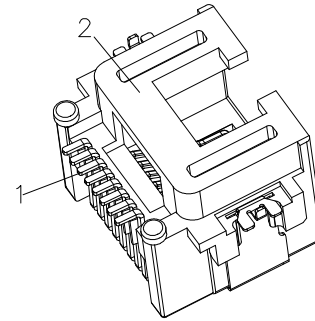
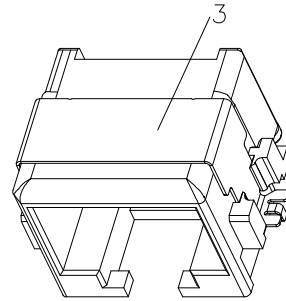
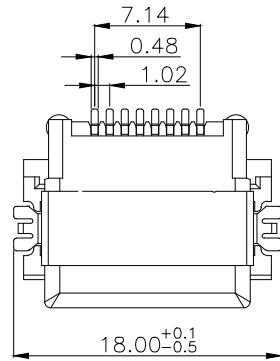


MAPX	MODIFICATION	DATE	DRAW	APPROVE



NOTES

MATERIAL

- 1.HOUSING MATERIAL: THERMO PLASTICS UL94V-0.
- 2.CONTACT MATERIAL: PHOSPHOR BRONZE T=0.3mm.
- 3.PLATING: GOLD PLATIN ON CONTAC AREA, TIN PLATING ON SOLER AREA, NICKEL PLATING ALL OVER.
- 4.SHIELD: 0.20mm THICKNESS COPPER ALLOY WITH NICKEL PLATED.

ELECTRICAL

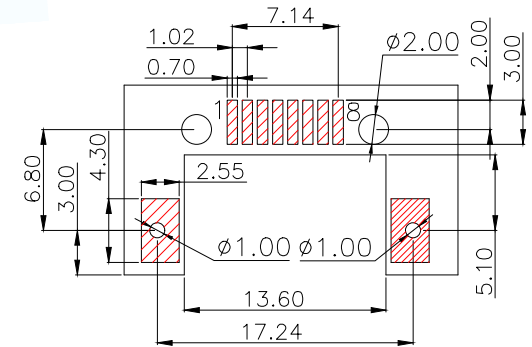
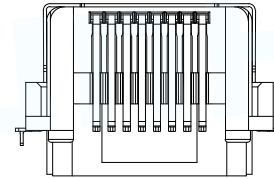
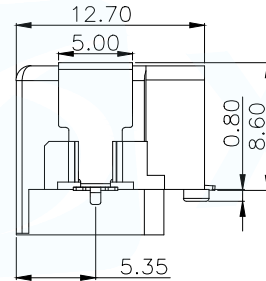
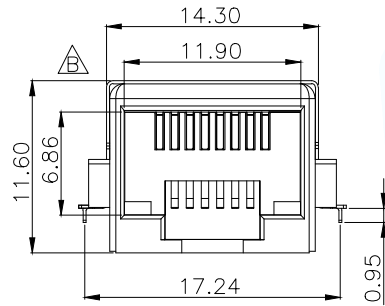
- 1.VOLTAGE RATING: 125 VAC RMS.
- 2.CURRENT RATING: 1.5 AMP.
- 3.CONTACT RESISTANCE: 40 MILLIOHMS MAX.
- 4.INSULATION RESISTANCE: 500 MEGOHMS MIN @ 100V DC .
- 5.DIELECTRIC DIELECTRIC RESISTANCE: 500V DC RMS 50Hz. 1MIN.

MECHANICAL

- 1.DURRABILITY: 750 CYCLES MIN.
2. MATING/UNMATING FORC: 2.24 KG.F MAX.

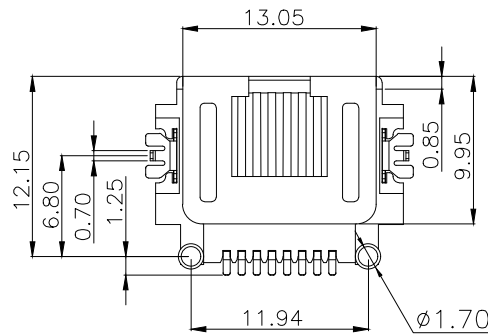
ENVIRONMENTAL:

- 1.OPERATION: -40v~+85v.
- 2.STORAGE: -40v~+85v.



PCBLAYOUT TOP VIEW

TOL ±0.05



PART NUMBER DESCRIPTION:

RJ45-110-021-XX

- 流水码
- 10:LCP黑 盘装
  - 11:LCP黑 卷装

8	—
7	—
6	RX-
5	—
4	—
3	RX+
2	TX-
1	TX+
PIN	说明

MANUFACTURE DWG		东莞市讯普电子科技有限公司 DongGuan XunPu Electronics Co.,Ltd	
UNLESS OTHERWISE SPECIFIED TOLERANCES		TITLE: RJ45 沉板3.0 SMT 中电 B款	
		PAR	RJ45-110-021-11
DECIMALS:	ANGLES:	DWN	
.X:±0.35	X':±3'	CHKD	
.XX:±0.25	.X':±2'	APVD	
.XXX:±0.15	.XX':±1'	SCALE:1:1	UNIT:MM
CUSTOMER COPY		SIZE:A4	SHEET:1F1
			REV:A