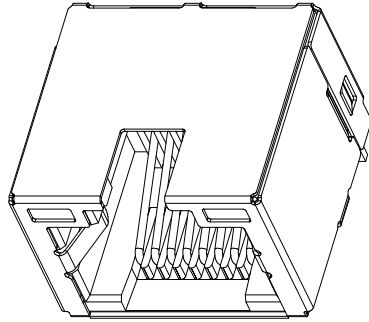
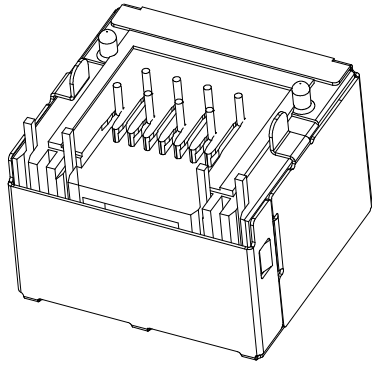
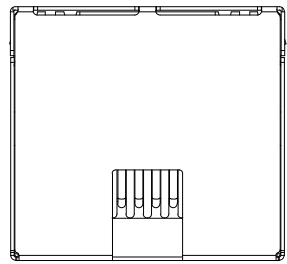


12	13	14	15
MAPX	MODIFICATION	DATE	DRAW



8	— / —
7	— / —
6	RX-
5	— / —
4	— / —
3	RX+
2	TX-
1	TX+
PIN	说明

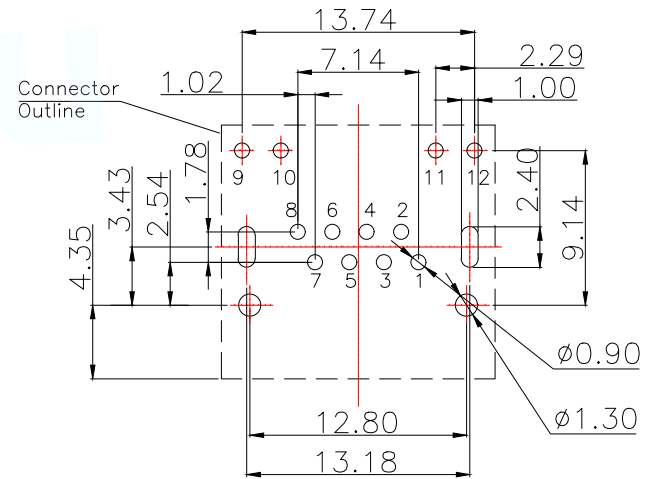
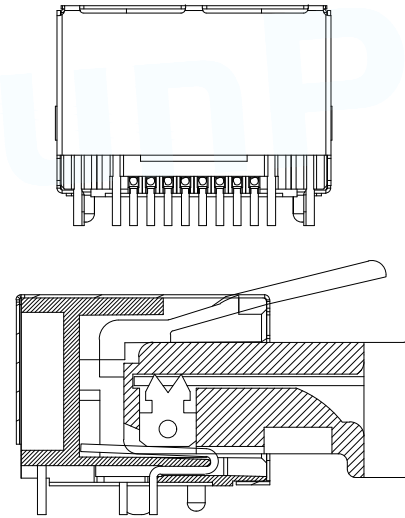
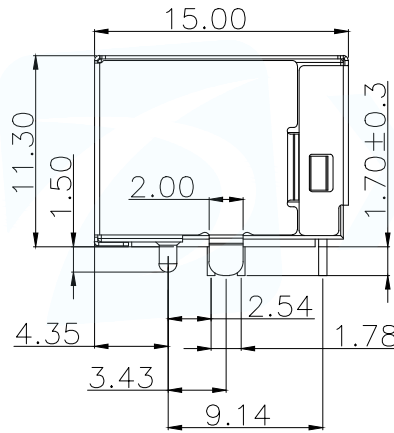
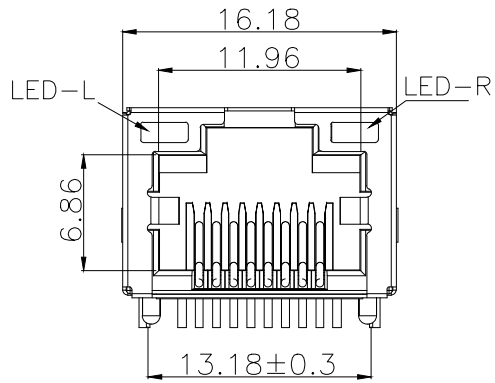
NOTES

MATERIAL
 1. HOUSING MATERIAL : GLASS FILLED POLYESTER UL94V-0.
 2. CONTACT MATERIAL : PHOSPHOR BRONZE $\phi 0.46\text{mm}$.
 3. PLATING : Au PLATING
 4. SHIELD : 0.20mm THICKNESS COPPER ALLOY WITH NICKEL PLATED.

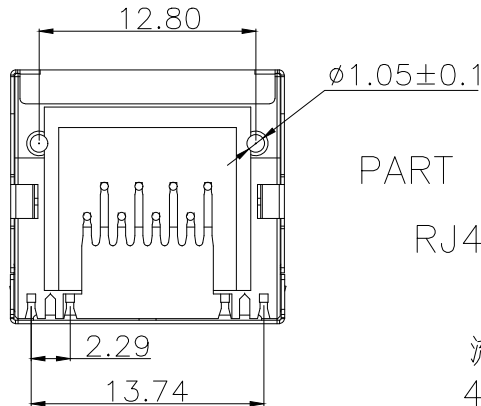
ELECTRICAL
 1. VOLTAGE RATING : 125 VAC RMS.
 2. CURRENT RATING : 1.5 AMP.
 3. CONTACT RESISTANCE : 40 MILLIOHMS MAX.
 4. INSULATION RESISTANCE : 500 MEGOHMS MIN @ 100V DC .
 5. DIELECTRIC DIELECTRIC RESISTANCE : 500V DC RMS 50Hz. 1MIN.

MECHANICAL
 1. DURRABILITY : 750 CYCLES MIN.
 2. MATING/UNMATING FORC: 2.24 KG.F MAX.

ENVIRONMENTAL:
 1. OPERATION : -40 $^{\circ}$ ~+85 $^{\circ}$.
 2. STORAGE : -40 $^{\circ}$ ~+85 $^{\circ}$.



PCBLAYOUT
 TOL: ± 0.05

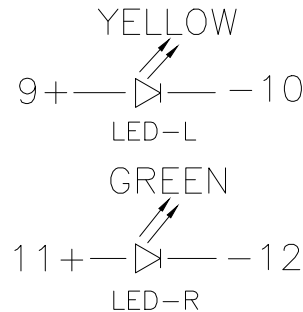


PART NUMBER DESCRIPTION:

RJ45-206-008-XX

流水码

41: 有壳左黄右绿-0.5u"淡 LCP黑 盘装
 42: 有壳左黄右绿-0.5u"淡 LCP黑 卷装



MANUFACTURE DWG			东莞市讯普电子科技有限公司 DongGuan XunPu Electronics Co.,Ltd	
UNLESS OTHERWISE SPECIFIED TOLERANCES			TITLE: RJ45 TAB UP内弯脚左黄右绿 2.29圆斜-0.5u"淡LCP黑	
DECIMALS:	ANGLES:	PAR	RJ45-206-008-41	
.X: ± 0.35	X': $\pm 3^{\circ}$	DWN		
.XX: ± 0.25	.X': $\pm 2^{\circ}$	CHKD		
.XXX: ± 0.15	.XX': $\pm 1^{\circ}$	APVD		
CUSTOMER COPY		SCALE: 1:1	UNIT: MM	
		SIZE: A4	SHEET: 1F1	
				REV: A