

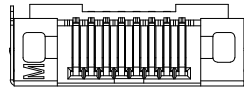
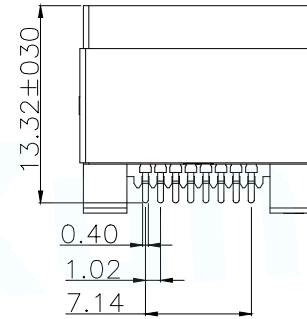
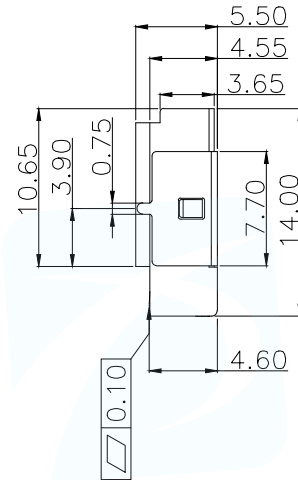
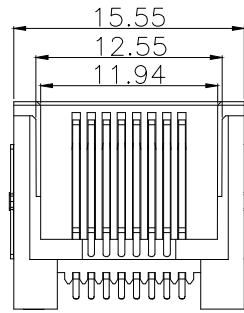
NOTES:

1. HOUSING:GLASS FILLED POLYESTER UL94V-0.
2. CONTACT:PHOSPHOR BRONZE T=0.3.
3. PLATING:GOLD PLATED ON CONTACT AREA, 100u"MIN. TIN PLATED ON SOLDERING AREA, 50u"MIN. NICKEL PLATED OVERALL.
4. SHELL:BRASS,T=0.20. WITH NICKEL PLATED.

ELECTRICAL:

1. VOLTAGE RATING: 125V AC RMS.
  2. CURRENT RATING: 1.5AMP.
  3. CONTACT RESISTANCE: 30MILLIOHMS MAX.
  4. INSULATION RESISTANCE: 500MEGOHMS MIN @500V DC.
- MECHANICAL:

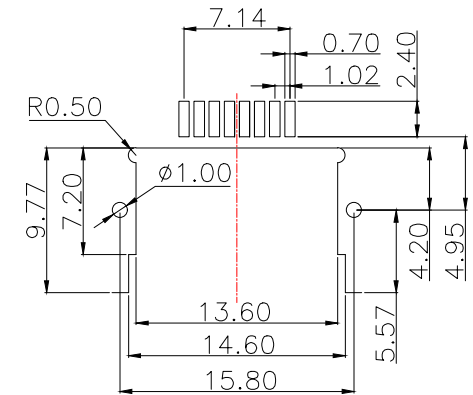
1. DURABILITY: 750 CYCLES MIN.
  2. MATING/UNMATING FORCE: 2.24 KG.F MAX.
- ENVIRONMENTAL:
1. STORAGE: -40°C~85°C
  2. OPERATION: -40°C~85°C
  3. REFLOW SOLDERING Temperature,255±5°C.
- \*Apply to the EU standards(ROSH)



PART NUMBER DESCRIPTION:

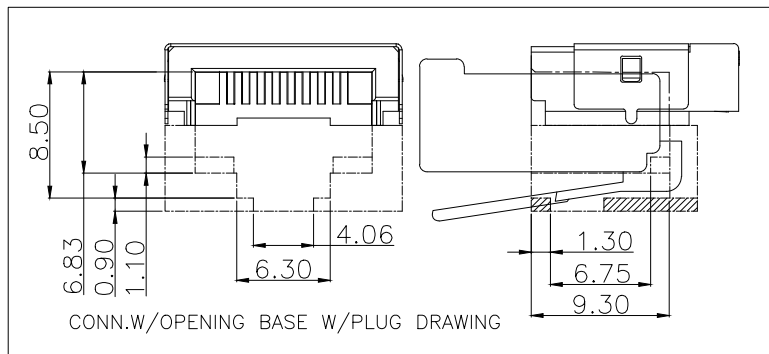
RJ45-107-012-XX

- └─ 电镀码
- 1-GOLD FLASH
- 3-3u''Au
- └─ 流水码
- 1:LCP黑 盘装
- 2:LCP黑 卷装



PBT LAYOUT  
TOL:±0.05

|     |     |
|-----|-----|
| 8   | —   |
| 7   | —   |
| 6   | RX- |
| 5   | —   |
| 4   | —   |
| 3   | RX+ |
| 2   | TX- |
| 1   | TX+ |
| PIN | 说明  |



|                                       |          |   |                              |
|---------------------------------------|----------|---|------------------------------|
| MANUFACTURE DWG                       |          | 东莞市讯普电子科技有限公司<br>DongGuan XunPu Electronics Co.,Ltd |                              |
| UNLESS OTHERWISE SPECIFIED TOLERANCES |          |   | TITLE:<br>RJ45 沉板0.95 SMT 镀壳 |
| DECIMALS:                             | ANGLES:  |   | PAR<br>RJ45-107-012-11       |
| .X:±0.35                              | X':±3'   |   | DWN                          |
| .XX:±0.25                             | .X':±2'  |   | CHKD                         |
| .XXX:±0.15                            | .XX':±1' | CUSTOMER COPY                                       | APVD                         |
|                                       |          | SCALE:1:1   | UNIT:MM                      |
|                                       |          | SIZE:A4   | SHEET:1F1                    |
|                                       |          |   | REV:A                        |