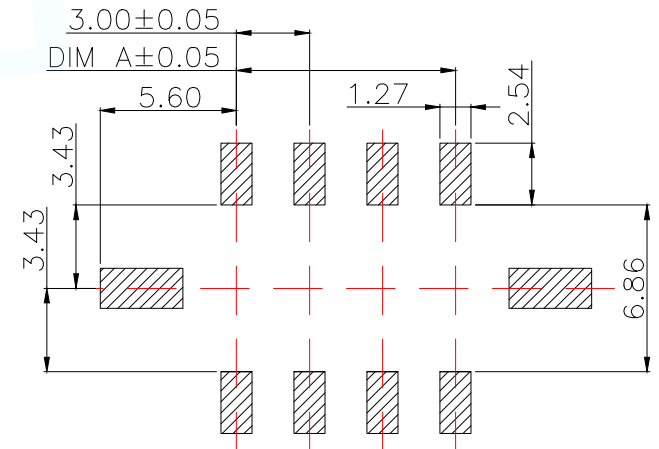
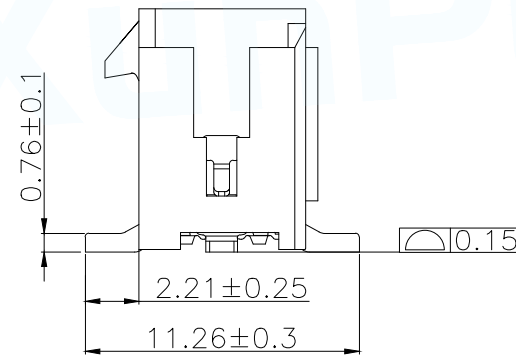
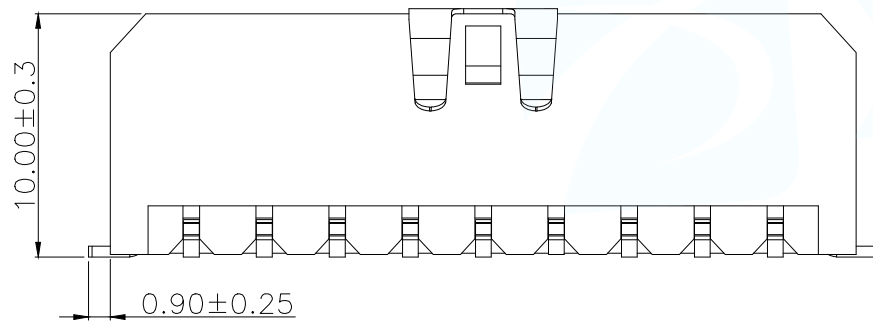


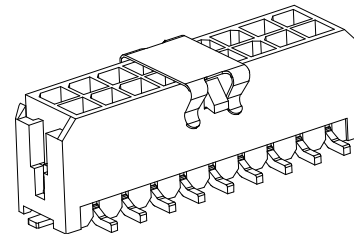
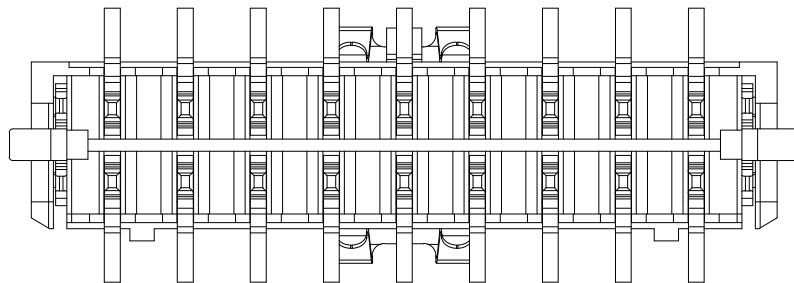
技术指标:

1. 温度范围: $-25^{\circ}\text{C} \sim 85^{\circ}\text{C}$.
2. 额定电流: 5.0A AC DC.
3. 额定电压: 250V AC DC.
4. 耐电压: 1000V AC/minute.
5. 接触电阻: $\leq 20\text{m}\Omega$.
6. 绝缘电阻: $\geq 1000\text{M}\Omega$.

型号	CKT	A	B
WAFER-MX3.0-2PLB	2*1	0.00	6.65
WAFER-MX3.0-4PLB	2*2	3.00	9.65
WAFER-MX3.0-6PLB	2*3	6.00	12.65
WAFER-MX3.0-8PLB	2*4	9.00	15.65
WAFER-MX3.0-10PLB	2*5	12.00	18.65
WAFER-MX3.0-12PLB	2*6	15.00	21.65
WAFER-MX3.0-14PLB	2*7	18.00	24.65
WAFER-MX3.0-16PLB	2*8	21.00	27.65
WAFER-MX3.0-18PLB	2*9	24.00	30.65
WAFER-MX3.0-20PLB	2*10	27.00	33.65
WAFER-MX3.0-22PLB	2*11	30.00	36.65
WAFER-MX3.0-24PLB	2*12	33.00	39.65



PCB.WELDING DRAWING (TOLERANCE:±0.05)



MANUFACTURE DWG		 东莞市讯普电子科技有限公司 DongGuan XunPu Electronics Co.,Ltd	
UNLESS OTHERWISE SPECIFIED TOLERANCES		TITLE: MX3.0MM 双排带扣立贴	
DECIMALS:	ANGLES:	PAR	WAFER-MX3.0-NPLB
X.X ± 0.30	X.* ± 5°	DWN	
X.XX ± 0.25	X.* ± 1°	CHKD	
X.XXX ± 0.15		APVD	
		SCALE:A	UNIT:MM
		SIZE:A4	SHEET:1F1
		CUSTOMER COPY	REV:A