

NOTES

ELECTRICAL

- 1.VOLTAGE RATING: 125 VAC RMS.
- 2.CURRENT RATING: 1.5 AMP.
- 3.CONTACT RESISTANCE: 40 MILLIOHMS MAX.
- 4.INSULATION RESISTANCE: 500 MEGOHMS MIN @ 100V DC
- 5.DIELECTRIC DIELECTRIC RESISTANCE: 500V DC RMS 50Hz. 1MIN.

MECHANICAL

- 1.DURRABILITY: 750 CYCLES MIN.
2. MATING/UNMATING FORC: 2.24 KG.F MAX.

ENVIRONMENTAL:

- 1.OPERATION: -40℃~+85℃.
- 2.STORAGE: -40℃~+85℃.

7	1.4x3.2x4.0	平头半透明亮绿LED灯	1	SPCC T=0.5mm	胶体半透明绿色发绿光
6	1.4x3.2x4.0	平头半透明亮黄LED灯	1	SPCC T=0.5mm	胶体半透明黄色发黄光
5	RJ45	立式12.7H SMT有灯外壳	1	C2680 T=0.2mm	镍40u"
4	RJ45	立式12.7H接地片	1	C2680 T=0.35mm	镍50u"亮锡100u"
3	RJ45	立式12.7H端子	8	C5191 T=0.35mm	Au/亮锡100u"/NI 50u"
2	RJ45	立式12.7H SMT插芯半成品	1	LCP UL94V-0	BLACK
1	RJ45	立式12.7H无柱有灯主体	1	LCP UL94V-0	BLACK
NO.	PART NAME		Q'TY	MATERIAL	PLATING & COLOR

Standard LED Color	LED Wavelength	Foward(A)	Foward(V)
Green	568nm	20mA	1.85-2.45V
Yellow	585nm	20mA	1.7-2.2V

8	— / —
7	— / —
6	RX-
5	— / —
4	— / —
3	RX+
2	TX-
1	TX+
PIN	说明

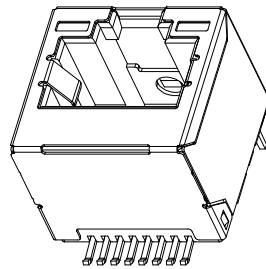
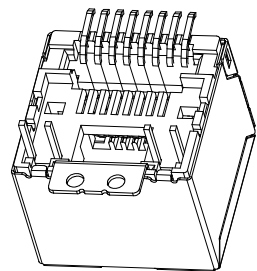
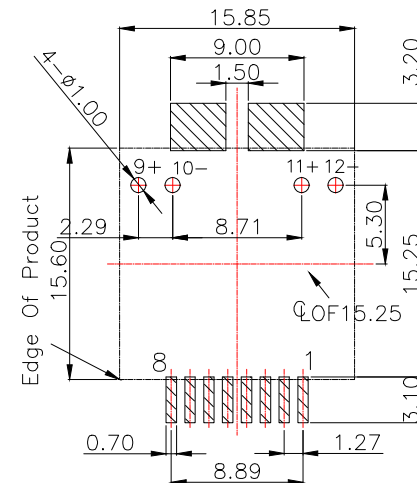
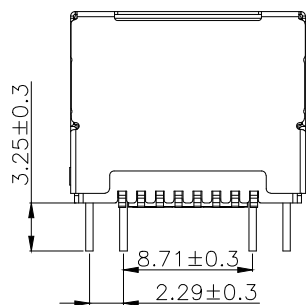
PART NUMBER DESCRIPTION:

RJ45-408-0X0-XX

- 电镀码
- 1-GOLD FLASH
- 3-3u" Au
- 流水码
- 1:LCP黑 盘装
- 2:LCP黑 卷装
- 类别码
- 5:SMT无柱有壳左黄右绿
- 6:SMT无柱有壳左绿右黄



PCBLAYOUT T=1.6
TOL:±0.05



MANUFACTURE DWG			东莞市讯普电子科技有限公司 DongGuan XunPu Electronics Co.,Ltd	
UNLESS OTHERWISE SPECIFIED TOLERANCES			TITLE: RJ45 立式12.7H SMT无柱 有壳有灯	
DECIMALS:	ANGLES:	PAR	RJ45-408-050-11	
.X:±0.35	X':.±3'	DWN		
.XX:±0.25	.X':.±2'	CHKD		
.XXX:±0.15	.XX':.±1'	APVD		
CUSTOMER COPY		SCALE:1:1	UNIT:MM	REV:A
		SIZE:A4	SHEET:1F1	