

12	13	14	15
MAPX	MODIFICATION	DATE	DRAW

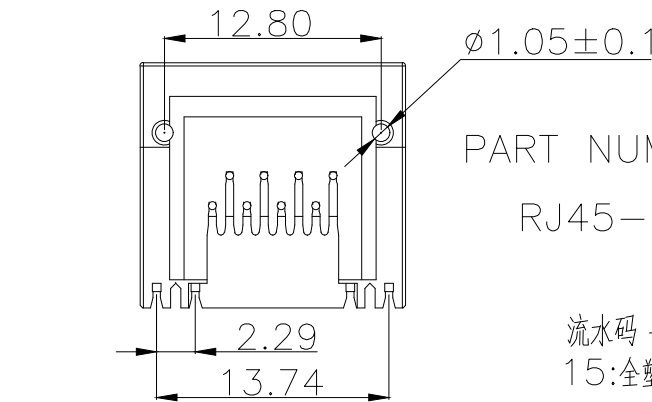
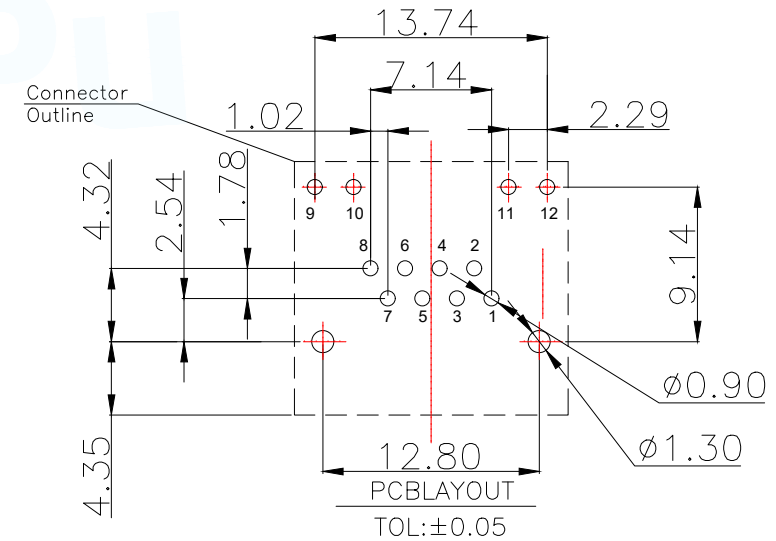
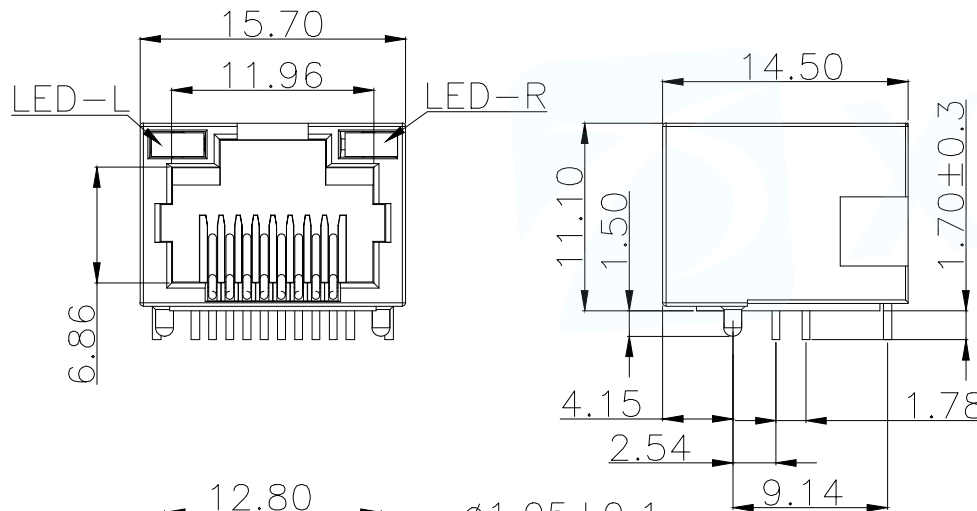
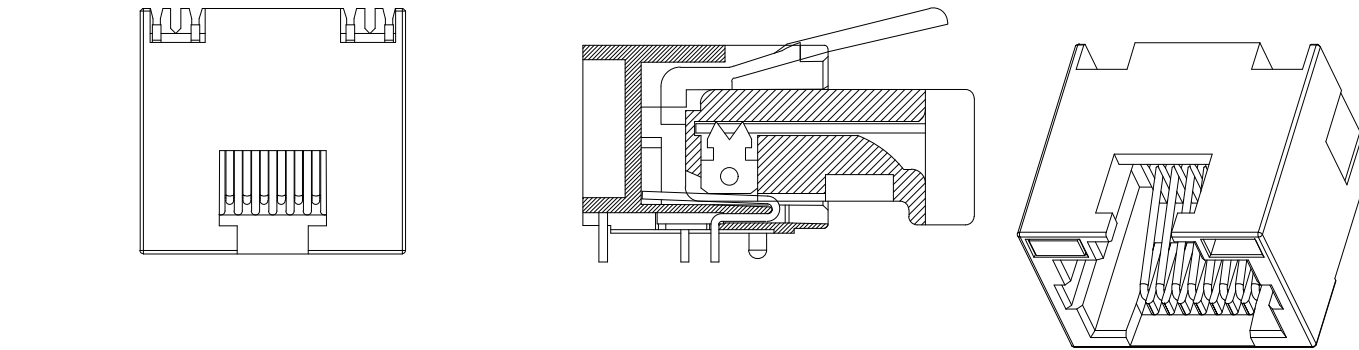
NOTES

MATERIAL
 1.HOUSING MATERIAL : GLASS FILLED POLYESTER UL94V-0.
 2.CONTACT MATERIAL : PHOSPHOR BRONZE $\phi 0.46\text{mm}$.
 3.PLATING : Au PLATING

ELECTRICAL
 1.VOLTAGE RATING : 125 VAC RMS.
 2.CURRENT RATING : 1.5 AMP.
 3.CONTACT RESISTANCE : 40 MILLIOHMS MAX.
 4.INSULATION RESISTANCE : 500 MEGOHMS MIN @ 100V DC .
 5.DIELECTRIC DIELECTRIC RESISTANCE : 500V DC RMS 50Hz. 1MIN.

MECHANICAL
 1.DURRABILITY : 750 CYCLES MIN.
 2.MATING/UNMATING FORC: 2.24 KG.F MAX.

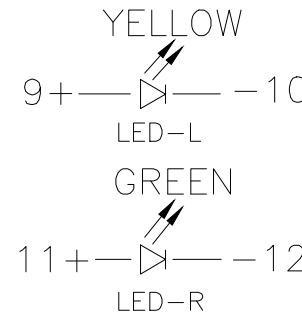
ENVIRONMENTAL:
 1.OPERATION : $-40^{\circ}\text{C}\sim+85^{\circ}\text{C}$.
 2.STORAGE : $-40^{\circ}\text{C}\sim+85^{\circ}\text{C}$.



PART NUMBER DESCRIPTION:

RJ45-206-008-XX

流水码
 15:全塑左黄右绿-0.5u"淡LCP黑盘装
 16:全塑左黄右绿-0.5u"淡LCP黑卷装



MANUFACTURE DWG		东莞市讯普电子科技有限公司 DongGuan XunPu Electronics Co.,Ltd	
UNLESS OTHERWISE SPECIFIED TOLERANCES		TITLE: RJ45 TAB UP全塑左黄右绿 2.29间距-0.5u"淡LCP黑	
DECIMALS:	ANGLES:	PAR	RJ45-206-008-15
.X:±0.35	X':±3'	DWN	
.XX:±0.25	.X':±2'	CHKD	
.XXX:±0.15	.XX':±1'	APVD	
CUSTOMER COPY		SCALE 1:1	UNIT:MM
		SIZE:A4	SHEET:1F1
			REV:A