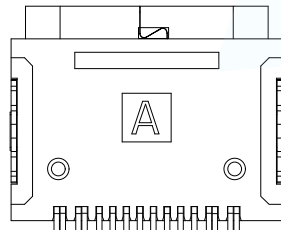
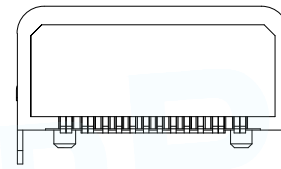
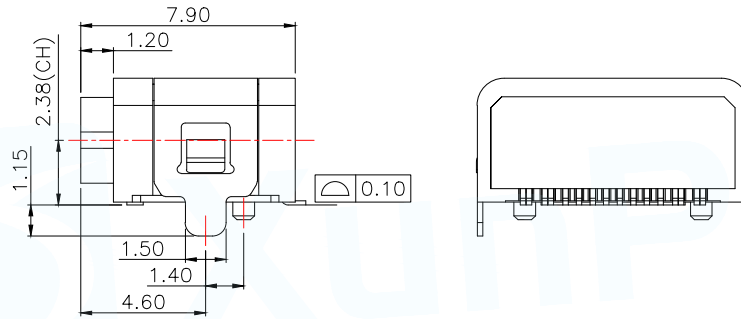
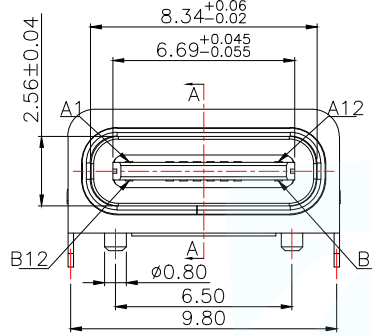
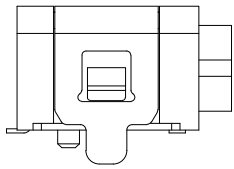


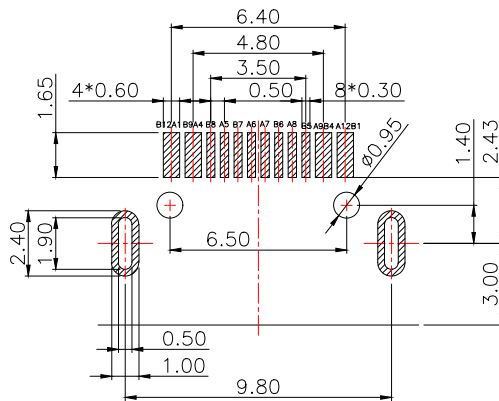
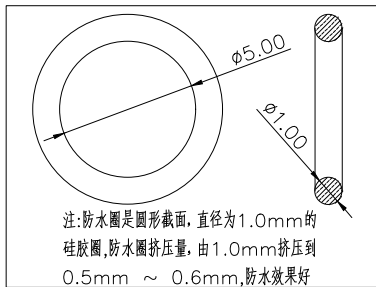
SECTION A-A

SPECIFICATION:

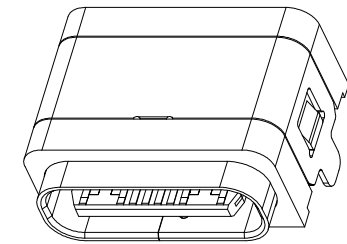
- Material:
 - HOUSING&MOLDING: HIGH TEMPERATURE RESISTANT PLASTIC, UL94 V-0
 - CONTACTS: COPPER ALLOY T=0.15mm
 - IDDL CLIP: SUS301-1/2H, T=0.15mm
 - SHELL-1: SUS304, T=0.30mm
 - SHELL-2: SUS304, T=0.20mm
- Mechanical:
 - 2.1. Mating force: 0.5~2.0kgf.
 - 2.2. UNMATING FORCE: 0.8~2.0kgf.
 - 2.3. Durability: 10000 Cycles;
- Electrical:
 - 3.1. Current Rating: 3A Max.;
 - 3.2. Voltage Rating: 20V Max.;
 - 3.3. Dielectric Withstanding voltage: 100VAc;
 - 3.4. Contact resistance: 40m Ohms Max.;
 - 3.5. Insulation Resistance: 100M Ohms Min.;
- Environmental:
 - 4.1. Operating temperature: -40°C~+85°C;
 - 4.2. Wetting Temperature: 265±5°C, 5±0.5s



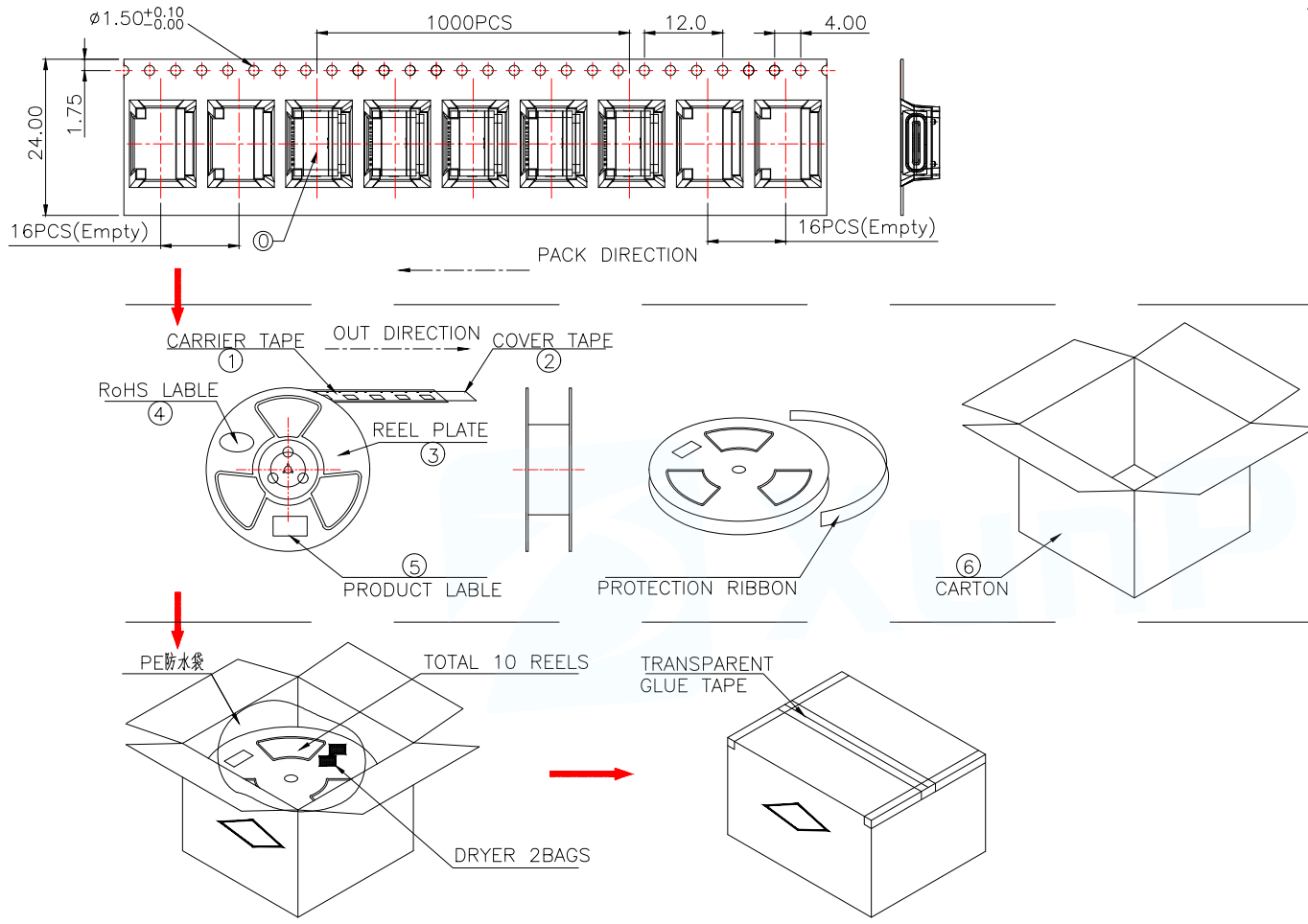
PIN DEFINE TABLE			
PIN	SIGNAL	PIN	SIGNAL
A12	GND	B1	GND
A11		B2	
A10		B3	
A9	VBUS	B4	VBUS
A8	SBU1	B5	CC2
A7	D-	B6	D+
A6	D+	B7	D-
A5	CC1	B8	SBU2
A4	VBUS	B9	VBUS
A3		B10	
A2		B11	
A1	GND	B12	GND



RECOMMENDED P.C.B. LAYOUT (T:1.0~1.2mm)
TOLERANCE UNSPECIFIED ±0.05mm



MANUFACTURE DWG		东莞市讯普电子科技有限公司 DongGuan XunPu Electronics Co.,Ltd	
UNLESS OTHERWISE SPECIFIED TOLERANCES			TITLE: TYPE-C 16pin母座板上型 两脚插板
			PAR TYPEC-301Y-ACP16X7
DECIMALS:	ANGLES:		DWN
.X:±0.35	.X':±3.0°		CHKD
.XX:±0.25	.XX':±2.5°	APVD	SCALE 1:1
.XXX:±0.15	.XXX':±2.0°	CUSTOMER COPY	UNIT:MM
		SIZE:A4	SHEET:1F1
			REV:A



说明:

1. 每卷前后各空 16PCS, 尾部用美纹胶纸封住;
2. 将产品放满盘后, 再卷一圈保护带, 用美纹胶纸将其封住, 并贴上 1Pcs 物料标签;
3. 每 10 卷盘一叠共 10000Pcs 并装入 1 个外箱内;
4. 在搬运过程中要轻拿轻放;
5. 在运输中不可堆放过多 (1.8M 最高), 不可重压;
6. 跌落测试条件:
成品箱从 1.2 米高度自由落体 (一角三棱六面):
a. 产品不可跑出下带凹槽;
b. 产品不可有摔伤, 变形;
c. 内包装材料不可严重破损.

NO.	NAME	SPEC	Q'TY
①	TYPE C RECEPTACLE		10000PCS/CARTON
①	CARRIER TAPE	W=24mm,T=0.35mm	1000PCS/PLATE
②	COVER TAPE	W=21.5mm	10PLATES/CARTON
③	REEL PLATE	φ330*100*24.4mm	10PCS/CARTON
④	RoHS LABEL		10PCS/CARTON
⑤	PRODUCT LABER		10PCS/CARTON
⑥	CARTON	350*340*310mm	1PCS/PACKAGE

MANUFACTURE DWG		东莞市讯普电子科技有限公司 DongGuan XunPu Electronics Co., Ltd	
UNLESS OTHERWISE SPECIFIED TOLERANCES			TITLE: TYPE-C 16pin 插座板上型 两脚插板
			PAR TYPEC-301Y-ACP16X7
DECIMALS:	ANGLES:		DWN
.X:±0.35	.X':±3.0°		CHKD
.XX:±0.25	.XX':±2.5°	APVD	SCALE 1:1 UNIT:MM
.XXX:±0.15	.XXX':±2.0°	CUSTOMER COPY	SIZE:A4 SHEET:1F1 REV:A