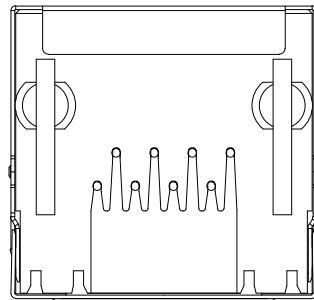
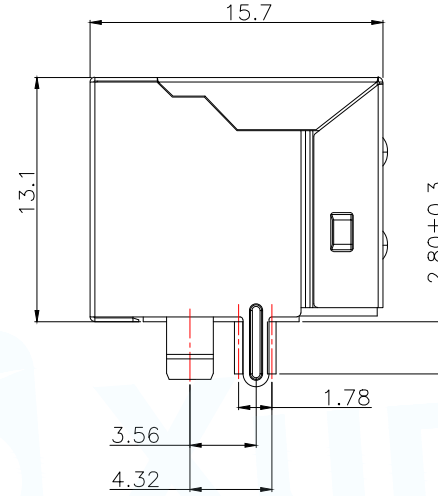
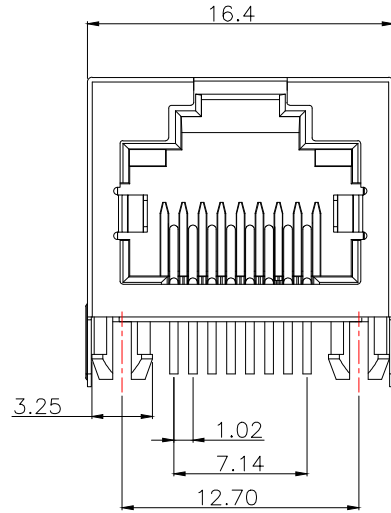


焊脚尺寸以顺畅过孔规为准



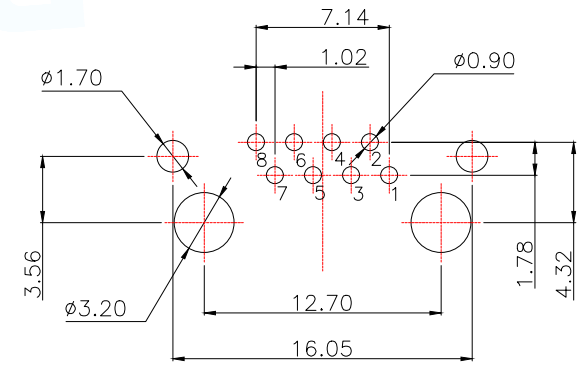
NOTES

MATERIAL
 1.HOUSING MATERIAL : GLASS FILLED POLYESTER UL94V-0.
 2.CONTACT MATERIAL : PHOSPHOR BRONZE $\phi 0.46\text{mm}$.
 3.PLATING : SELECT GOLD PLATING OVER NICKEL 50u".
 4.SHIELD : BRASS T0.20mm 40u" NICKEL PLATED.

ELECTRICAL
 1.VOLTAGE RATING : 125 VAC RMS.
 2.CURRENT RATING : 1.5 AMP.
 3.CONTACT RESISTANCE : 40 MILLIOHMS MAX.
 4.INSULATION RESISTANCE : 500 MEGOHMS MIN @ 100V DC.
 5.DIELECTRIC DIELECTRIC RESISTANCE : 500V DC RMS 50Hz. 1MIN.

MECHANICAL
 1.DURRABILITY : 750 CYCLES MIN.
 2.MATING/UNMATING FORC : 2.24 KG.F MAX.

ENVIRONMENTAL:
 1.STORAGE : -40~+85v.
 2.OPERATION : -40~+85v.



PCBLAYOUT T=1.6mm
 TOL:±0.05

PART NUMBER DESCRIPTION:

RJ45-202-005-XX

流水码 _____
 12:2.8脚-0.5u"淡PBT黑盘装

8	—
7	—
6	RX-
5	—
4	—
3	RX+
2	TX-
1	TX+
PIN	说明

MANUFACTURE DWG		东莞市讯普电子科技有限公司 DongGuan XunPu Electronics Co.,Ltd		
UNLESS OTHERWISE SPECIFIED TOLERANCES			TITLE:RJ45 56 B型无弹无灯DIP2.8脚-0.5u"淡PBT黑	
DECIMALS:	ANGLES:		PAR	RJ45-202-005-12
.X:±0.35	X':±3'		DWN	
.XX:±0.25	.X':±2'		CHKD	
.XXX:±0.15	.XX':±1'		APVD	
CUSTOMER COPY		SCALE:1:1	UNIT:MM	
		SIZE:A4	SHEET:1F1	
			REV:A	