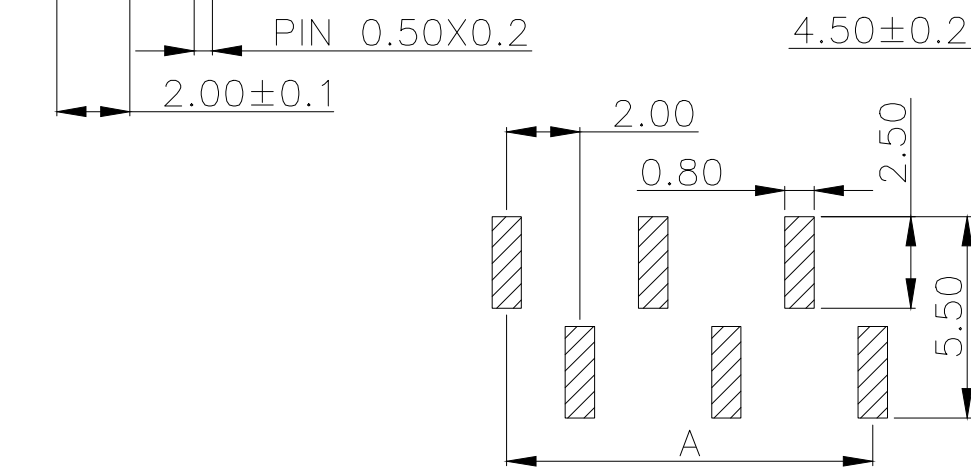
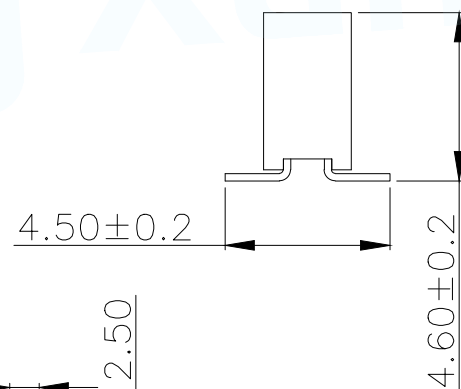


SPECIFICATIONS

Current Rating: 1.5 Amps
 Insulation Resistance: 1000M Ω Min
 Contact Resistance: 20m Ω Max
 Withstanding Voltage: AC 500V
 Operation Temperature: -40°to+105°
 Contact Material: Brass
 Standard: PA6T
 Insulator Material: Polyester(UL 94V-0)
 Contact Plating: Gold Flash
 Max.Processing Temp: 240°C for30-60seconds (260°C for 5 seconds)

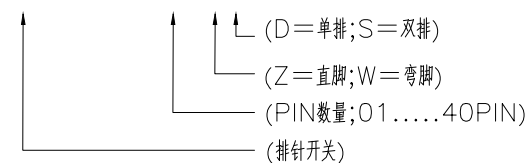


RECOMMEND P.C.B LAYOUT
 PCB TOLERANCE:±0.05 (TOP VIEW)

P/N	PIN	DIM.A	DIM.B
FH2.0-04-01PWD	1	0.00	2.00
FH2.0-04-02PWD	2	2.00	4.00
FH2.0-04-03PWD	3	4.00	6.00
FH2.0-04-04PWD	4	6.00	8.00
FH2.0-04-05PWD	5	8.00	10.00
FH2.0-04-06PWD	6	10.00	12.00
FH2.0-04-07PWD	7	12.00	14.00
FH2.0-04-08PWD	8	14.00	16.00
FH2.0-04-09PWD	9	16.00	18.00
.....
FH2.0-04-40PWD	40	(PIN-1)x2.0	(PIN)x2.0

PART NUMBER DESCRIPTION:

FH2.0-04-NPWD



MANUFACTURE DWG		东莞市讯普电子科技有限公司 DongGuan XunPu Electronics Co.,Ltd		
UNLESS OTHERWISE SPECIFIED TOLERANCES			TITLE:2.0FH H4.3 1xnPin SMT W2.4 U型 PC4.5 PB4.6 6T(右前左后)	
DECIMALS:	ANGLES:		PAR FH2.0-04-NPWD	
X.±0.30	X°±5'		DWN	CHKD
X.X±0.20	X.X°±1'		APVD	SCALE N:A UNIT:MM
X.XX±0.10	X.XX°±0.5'	CUSTOMER COPY	SIZE:A4 SHEET:1F1 REV:A	