

NOTES

MATERIAL

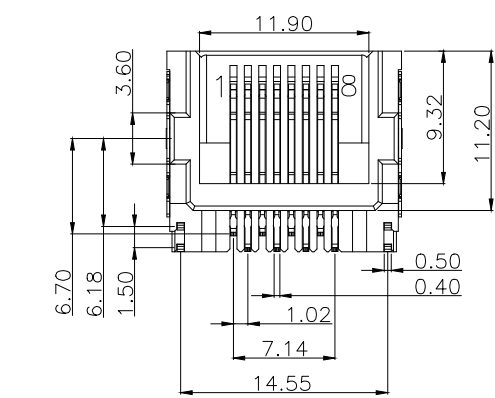
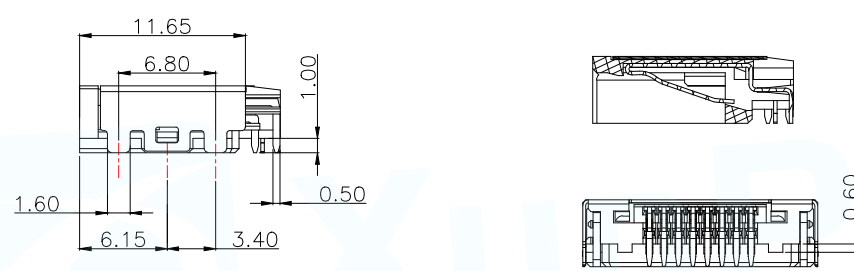
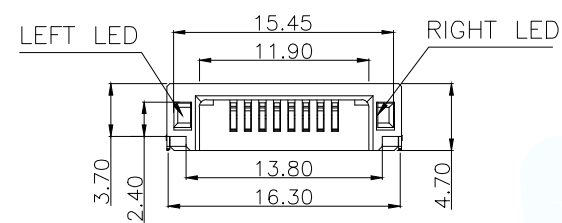
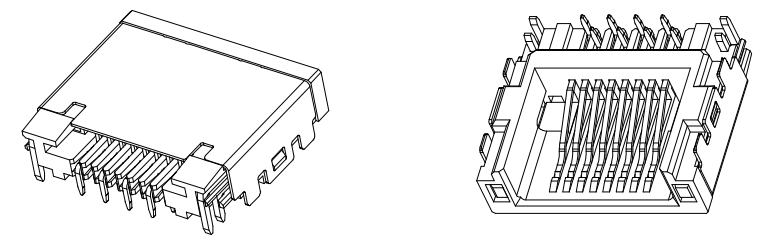
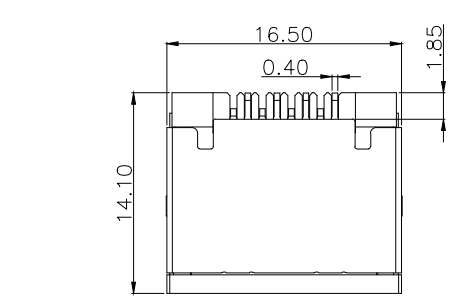
- HOUSING: THERMO PLASTICS UL94V-0 BLACK.
 - CONTACT: PHOSPHOR BRONZE T=0.25mm.
 - PLATING: GOLD PLATING 1U" ON CONTACT AREA 50U" MIN NICKEL UNDERPLATING 60U" MIN TIN ON SOLDER TAIL NICKEL.
 - SHIELD: SUS T=0.20mm.WITH 30u" NICKEL PLATED.
 - LED: SPC T=0.5mm.
- ELECTRICAL
- VOLTAGE RATING: 125 VAC RMS.
 - CURRENT RATING: 1.5 AMP.
 - CONTACT RESISTANCE: 40 MILLIOHMS MAX.
 - INSULATION RESISTANCE: 500 MEGOHMS MIN @ 100V DC .
 - DIELECTRIC DIELECTRIC RESISTANCE:500V DC RMS 50Hz. 1MIN.

MECHANICAL

- DURRABILITY: 750 CYCLES MIN.
- MATING/UNMATING FORC: 2.24 KG.F MAX.

ENVIRONMENTAL:

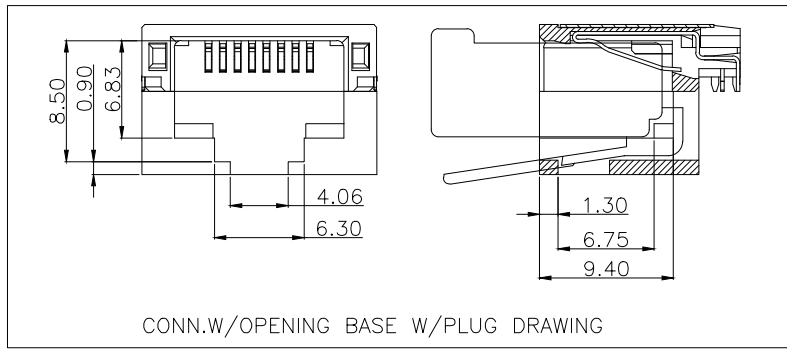
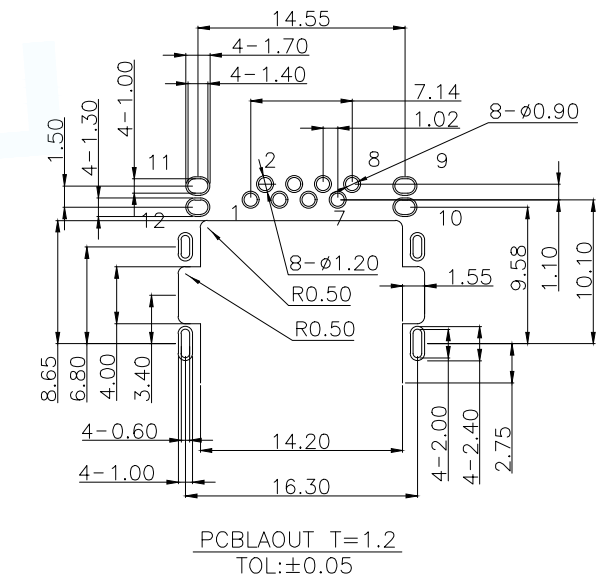
- OPERATION: -40v~+85v.
- STORAGE -40v~+85v.



PART NUMBER DESCRIPTION:

RJ45-107-0XX-XX

- 电镀码
- 1-GOLD FLASH
- 流水码
- 1:PA9T黑 盘装
- 2:PA9T黑 卷装
- 类别码
- 15:3.7 DIP 钢壳 左白右琥珀



8	—
7	—
6	RX-
5	—
4	—
3	RX+
2	TX-
1	TX+
PIN	说明

MANUFACTURE DWG		东莞市讯普电子科技有限公司 DongGuan XunPu Electronics Co.,Ltd	
UNLESS OTHERWISE SPECIFIED TOLERANCES			TITLE:半边RJ45 沉板1.0 DIP钢壳左白右琥珀无防呆片
DECIMALS:	ANGLES:		PAR RJ45-107-015-11
.X:±0.35	X'.:±3'		DWN
.XX:±0.25	.X':±2'		CHKD
.XXX:±0.15	.XX':±1'	APVD	SCALE N:A UNIT:MM
CUSTOMER COPY		SIZE:A4	SHEET:1F1
			REV:A