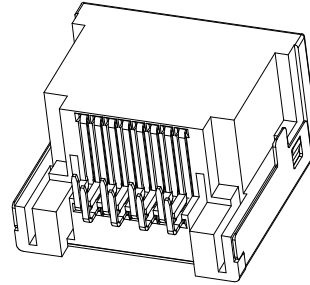
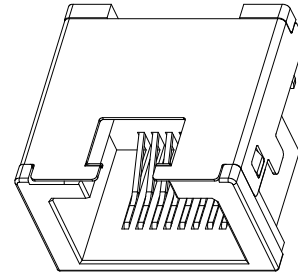
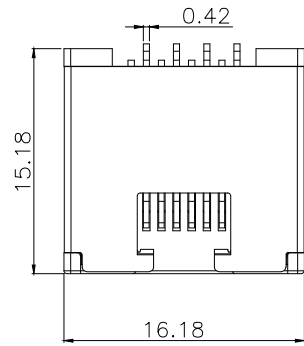


12	13	14	15
MAPX	MODIFICATION	DATE	DRAW



NOTES

MATERIAL

- 1.HOUSING MATERIAL: LCP BLACK UL94V-0.
- 2.CONTACT MATERIAL: PHOSPHOR BRONZE T=0.25mm.
- 3.PLATING: GOLD PLATING ON CONTACT AREA,100u" MATTE-TIN ON SOLDER TAIL50u" NICKEL UNDERPLATED OVERALL.
- 4.SHIELD: SUS T=0.20mm WITH NICKEL PLATED.

ELECTRICAL

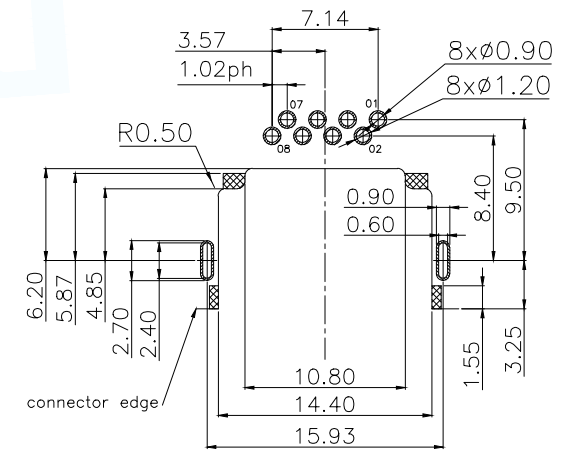
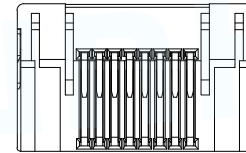
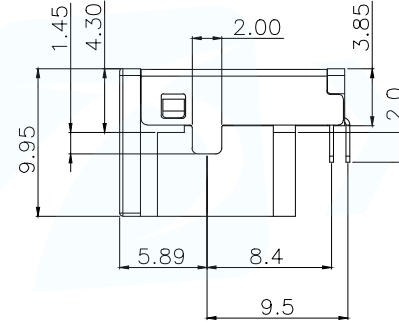
- 1.VOLTAGE RATING: 125 VAC RMS.
- 2.CURRENT RATING: 1.5 AMP.
- 3.CONTACT RESISTANCE: 40 MILLIOHMS MAX.
- 4.INSULATION RESISTANCE: 500 MEGOHMS MIN @ 100V DC .
- 5.DIELECTRIC DIELECTRIC RESISTANCE: 500V DC RMS 50Hz. 1MIN.

MECHANICAL

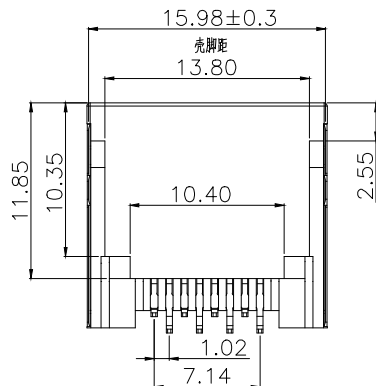
- 1.DURRABILITY: 750 CYCLES MIN.
2. MATING/UNMATING FORC: 2.24 KG.F MAX.

ENVIRONMENTAL:

- 1.OPERATION: -40~+85t.
- 2.STORAGE: -40~+85t.



RECOMMENDED PCB LAYOUT (component side)(TOP VIEW)
 DEFAULT TOLERANCES:±0.05/PCB THICKNESS:1.0MM
 ■ NO PATIERN AREA



PART NUMBER DESCRIPTION:

RJ45-005-020-XX

- └─┬─ 电镀码
- 1-GOLD FLASH
- 3-3u" Au
- └─┬─ 流水码
- 1:LCP黑 盘装
- 2:LCP黑 卷装

MANUFACTURE DWG		东莞市讯普电子科技有限公司 DongGuan XunPu Electronics Co.,Ltd	
UNLESS OTHERWISE SPECIFIED TOLERANCES			TITLE: RJ45 9.9H 沉板5.65 半包 A款无灯
DECIMALS:	ANGLES:		PAR RJ45-005-020-11
.X:±0.35	X':±3'		DWN
.XX:±0.25	.X':±2'		CHKD
.XXX:±0.15	.XX':±1'	CUSTOMER COPY	APVD
		SCALE:1:1	UNIT:MM
		SIZE:A4	UNIT:MM
		SHEET:1F1	REV:A