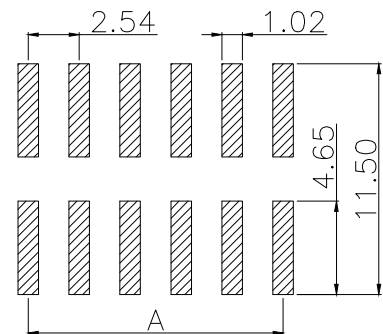
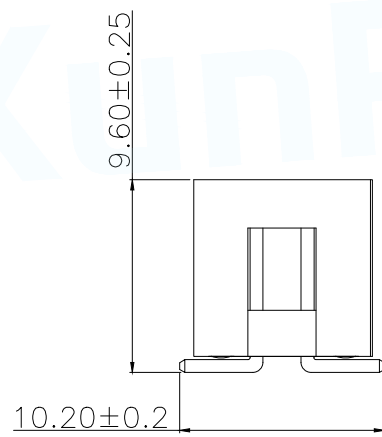
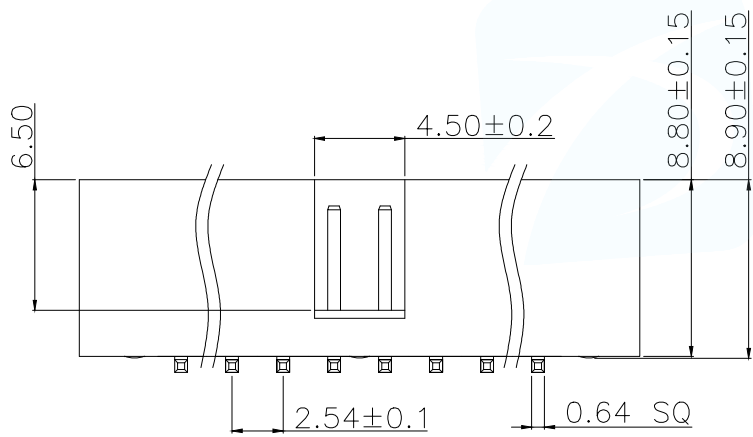


SPECIFICATIONS

Current Rating: 3Amps  
 Insulation Resistance: 1000MΩ Min  
 Contact Resistance: 20mΩ Max  
 Withstanding Voltage: AC 1000V  
 Operation Temperature: -40°to+105°  
 Contact Material: Brass  
 Insulator Material: Polyester(UL 94V-0)  
 Contact plating: Gold Flash  
 Standard: PA6T  
 Max.Processing Temp: 240°C for30-60seconds (260°Cfor10seconds)

P/N	PIN	DIM.A	DIM.B
IDC2.54-02-03PWS	2*3	5.08	7.62
IDC2.54-02-04PWS	2*4	7.62	10.16
IDC2.54-02-05PWS	2*5	10.16	12.70
IDC2.54-02-06PWS	2*6	12.70	15.24
IDC2.54-02-07PWS	2*7	15.24	17.78
IDC2.54-02-08PWS	2*8	17.78	20.32
IDC2.54-02-09PWS	2*9	20.32	22.86
IDC2.54-02-10PWS	2*10	22.86	25.40
IDC2.54-02-12PWS	2*12	27.94	30.48
IDC2.54-02-13PWS	2*13	30.48	33.02
IDC2.54-02-14PWS	2*14	33.02	35.56
IDC2.54-02-15PWS	2*15	35.56	38.10
IDC2.54-02-16PWS	2*16	38.10	40.64
IDC2.54-02-17PWS	2*17	40.64	43.18
IDC2.54-02-18PWS	2*18	43.18	45.72
IDC2.54-02-20PWS	2*20	48.26	50.80
IDC2.54-02-22PWS	2*22	53.34	55.88
IDC2.54-02-25PWS	2*25	60.96	63.50
IDC2.54-02-30PWS	2*30	73.66	76.20
IDC2.54-02-32PWS	2*32	78.74	81.28



RECOMMEND P.C.B LAYOUT  
 PCB TOLERANCE:±0.05 (TOP VIEW)

PART NUMBER DESCRIPTION:

IDC2.54-02-NPWS

(D=单排;S=双排)  
 (Z=直脚;W=弯脚)  
 (PIN数量;06.....64PIN)  
 (排针开关)

MANUFACTURE DWG		东莞市讯普电子科技有限公司 DongGuan XunPu Electronics Co.,Ltd	
UNLESS OTHERWISE SPECIFIED TOLERANCES			TITLE:2.54DC3-NP in H8.9 SMT PC10.2 PB9.6 L11.5 6T
DECIMALS:	ANGLES:		PAR IDC2.54-02-NPWS
X.±0.30	X°±5'		DWN
X.X±0.20	X.X°±1'		CHKD
X.XX±0.10	X.XX°±0.5'	APVD	SCALE N:A UNIT:MM
CUSTOMER COPY		SIZE:A4	SHEET:1F1 REV:A