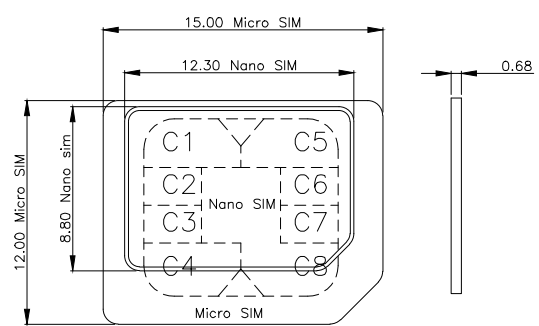
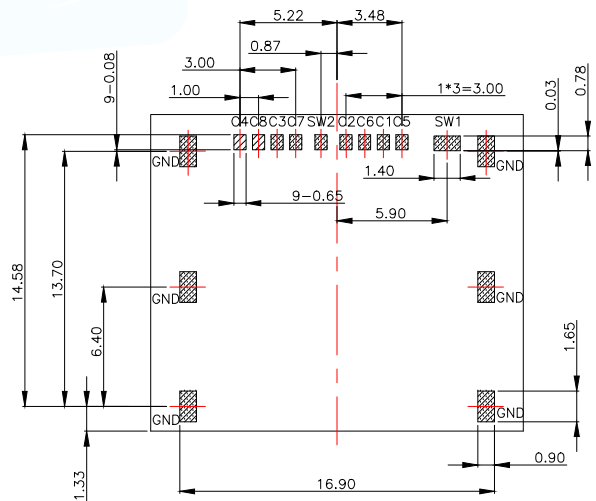
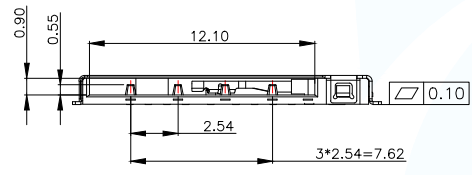


CARD PUSH POSITION
 CARD LOCK POSITION
 CARD DASHING POSITION

PIN/NO	ASSIGNMENT
C1	VCC
C2	RST
C3	CLK
C4	RESERVED
C5	GND
C6	VPP
C7	I/O
C8	RESERVED
SW1	Detect Switch
SW2	Detect Switch

NOTES:

- MATERIAL:
 - Housing: High Temperature Thermoplastic UL94V-0; Color Black.
 - Terminal: Copper Alloy.
 - Shell: Stainless Steel.
- SPECIALITY:
 - Rated current: 1.0A
 - Rated voltage: 50V
 - Contact Resistance: 100mΩ MAX
 - Insulation Resistance: 1000MΩ MIN 500V DC
 - Dielectric withstanding voltage: 500V AC.
 - Solder ability: 255±5t, 5±0.5s.
 - Durability: 5000 Cycles Min.
 - Operating condition: Temperature -40t~+85t; Humidity 80% R.H MAX



PAD AREA
 KEEP OUT AREA

CARD INSERTING POSITION	CLOSE	SW1 SW2
NO CARD	OPEN	SW1 SW2

RECOMMENDED PCB LAYOUT
 GENERAL TOLERANCE ±0.05

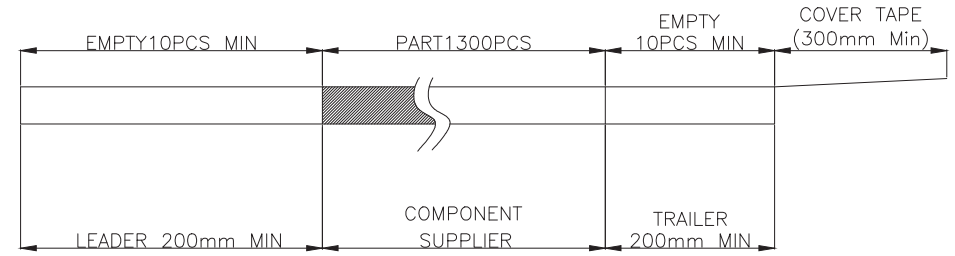
Card is not inserted;
 SW2 and SW1/GND pin is open
 Card is inserted;
 SW2 and SW1/GND pin is close

6	Housing	1PC	LCP UL94V-0	BLACK
5	LINK	1PC	SUS304	
4	SPRING	1PC	SWP-B	plating Ni: 30u"min
3	Slider	1PC	LCP UL94V-0	BLACK
2	COVER	1PC	SUS304	Slider plating Au: 1u", Ni: 30u"min
1	Terminal	1PC	C5210-EH, T=0.10	Contact Au: 1u", plating Au: 1u", Ni: 50u"min
NO	Description	Dosage	Material	Color/plating

MANUFACTURE DWG		东莞市讯普电子科技有限公司 DongGuan XunPu Electronics Co., Ltd	
UNLESS OTHERWISE SPECIFIED TOLERANCES			TITLE: MICRO SIM 1.56mm 8pin Switch
			PAR SMC-222-ARP9
			DWN
			CHKD
DECIMALS:	ANGLES:	APVD	
.X: ±0.30	X.: ±2'	SCALE 1:1 UNIT: MM	
.XX: ±0.20		SIZE: A4	
.XXX: ±0.10		SHEET: 1F1	
CUSTOMER COPY		REV: A	

NOTES

1. NUMBER OF CONNECTORS:1300PCS/REEL
2. LEAD TAPE LENGTH

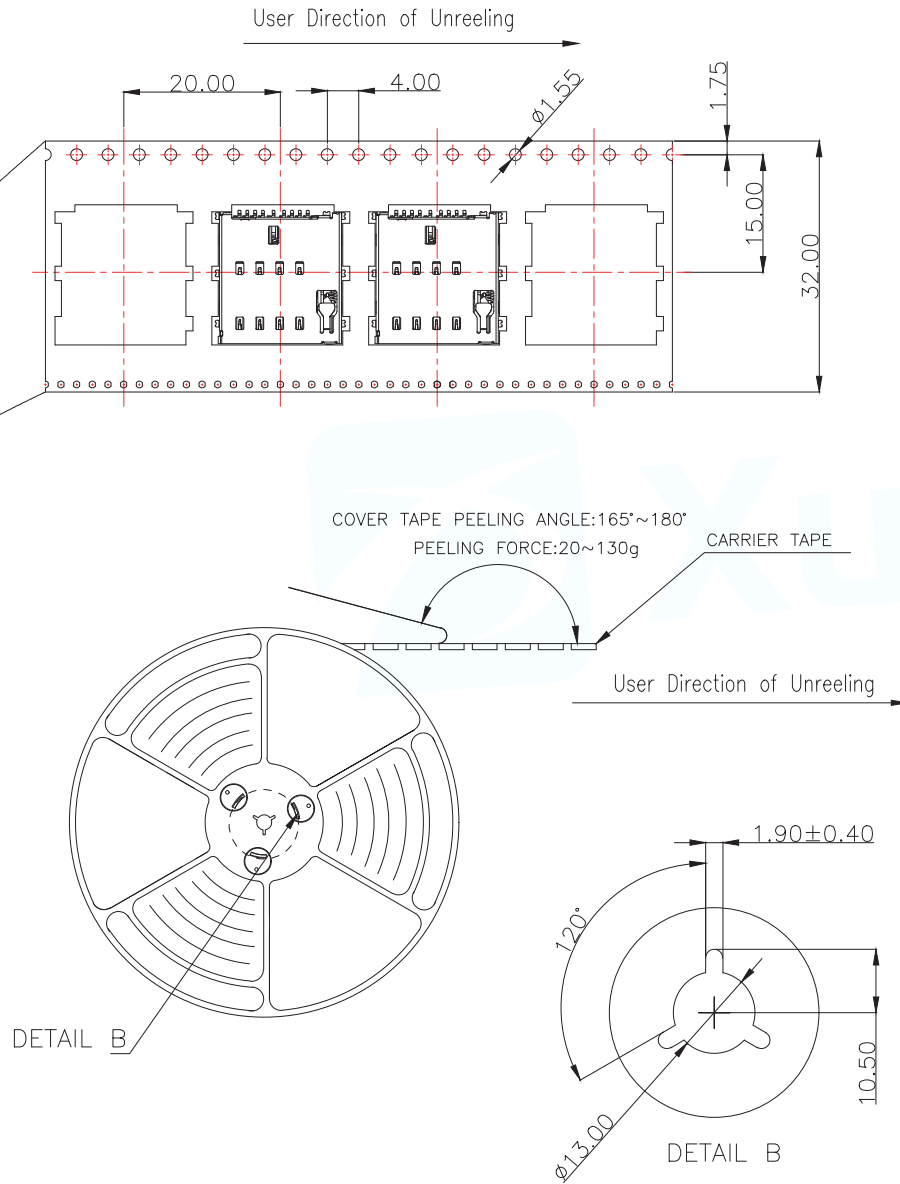
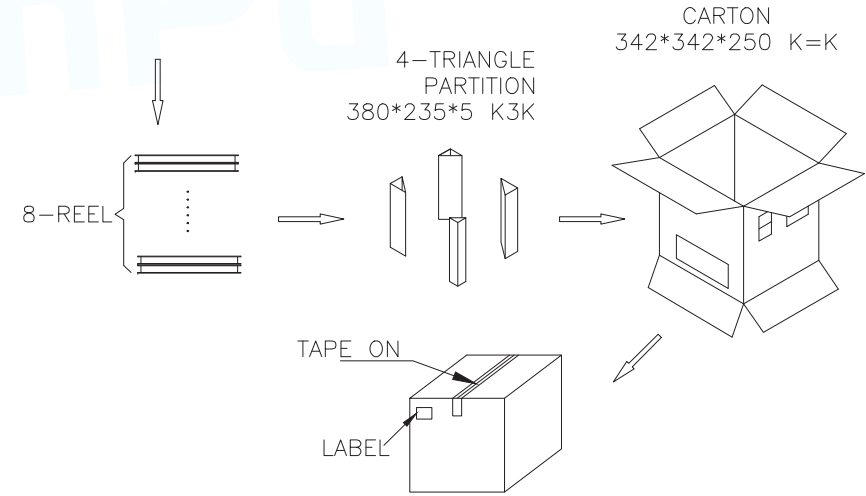


3. QUANTITY: 10400PCS/CARTON

4. WEIGHT :

4.1 NET WEIGHT : 7.98Kg

4.2 GROSS WEIGHT : 10.29Kg



MANUFACTURE DWG		东莞市讯普电子科技有限公司 DongGuan XunPu Electronics Co.,Ltd	
UNLESS OTHERWISE SPECIFIED TOLERANCES			TITLE: MICRO SIM 1.56mm 8pin Switch 封装
DECIMALS:	ANGLES:		PAR SMC-222-ARP9
.X:±0.30	X.°:±2'		DWN
.XX:±0.20			CHKD
.XXX:±0.10		APVD	SCALE 1:1 UNIT:MM
CUSTOMER COPY		SIZE: A4	UNIT:MM
		SHEET: 1F1	REV: A