

焊脚尺寸以顺畅过孔规为准

NOTES

MATERIAL

- 1.HOUSING MATERIAL: GLASS FILLED POLYESTER UL94V-0.
- 2.CONTACT MATERIAL: PHOSPHOR BRONZE $\phi 0.46\text{mm}$.
- 3.PLATING: GOLD FLASH PLATING OVER NICKEL.
- 4.SHIELD: BRASS T0.20mm 40u" NICKEL PLATED.

ELECTRICAL

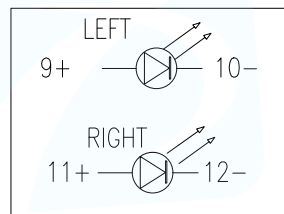
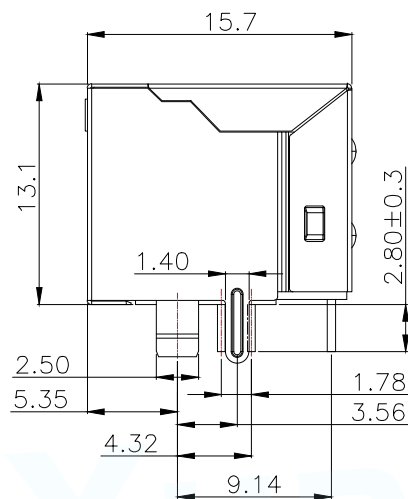
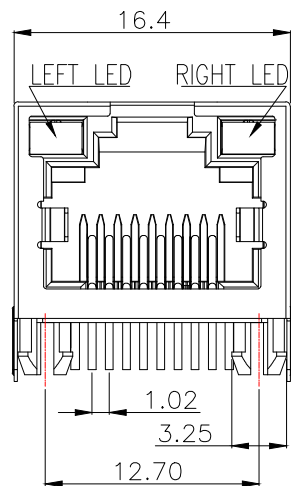
- 1.VOLTAGE RATING: 125 VAC RMS.
- 2.CURRENT RATING: 1.5 AMP.
- 3.CONTACT RESISTANCE: 40 MILLIOHMS MAX.
- 4.INSULATION RESISTANCE: 500 MEGOHMS MIN @ 100V DC .
- 5.DIELECTRIC DIELECTRIC RESISTANCE: 500V DC RMS 50Hz. 1MIN.

MECHANICAL

- 1.DURRABILITY: 750 CYCLES MIN.
- 2.MATING/UNMATING FORCE: 2.24 KG.F MAX.

ENVIRONMENTAL:

- 1.STORAGE: $-40^{\circ}\text{C}\sim+85^{\circ}\text{C}$.
- 2.OPERATION: $-40^{\circ}\text{C}\sim+85^{\circ}\text{C}$.



8	/
7	/
6	RX-
5	/
4	/
3	RX+
2	TX-
1	TX+
PIN	说明

PART NUMBER DESCRIPTION:

RJ45-202-00X-0X

流水码

01:2.8脚GF PA46黑 盘装

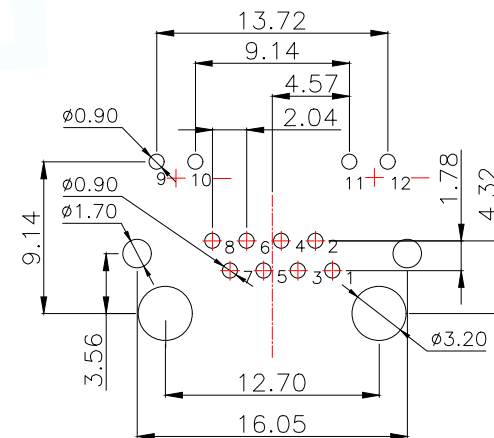
02:2.8脚GF PBT黑 盘装

03:2.8脚GF PBT黄 盘装

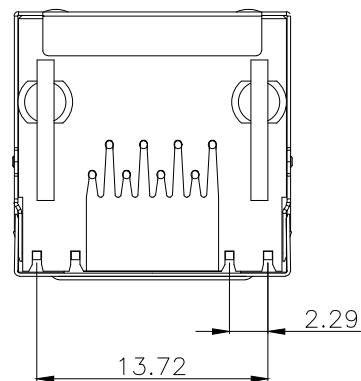
类别码

07:B型 无弹 左黄右绿

08:B型 无弹 左绿右黄



PCBLAYOUT
TOL:±0.05



MANUFACTURE DWG		东莞市讯普电子科技有限公司 DongGuan XunPu Electronics Co.,Ltd	
UNLESS OTHERWISE SPECIFIED TOLERANCES			TITLE: RJ45 56B型无弹 带灯左黄右绿 DIP
			PAR RJ45-202-007-02
			DWN
			CHKD
DECIMALS: .X:±0.35 .XX:±0.25 .XXX:±0.15	ANGLES: X':±3' .X':±2' .XX':±1'	APVD	SCALE:1:1
		CUSTOMER COPY	UNIT:MM
		SIZE:A4	SHEET:1F1
			REV:A