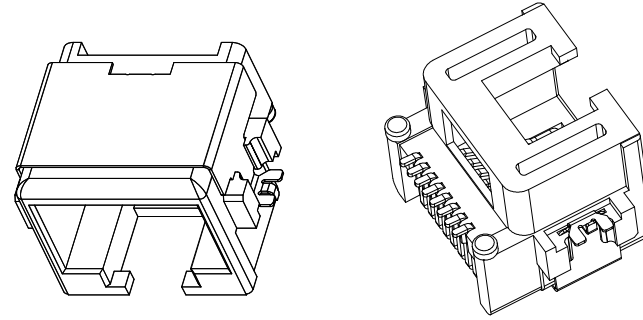
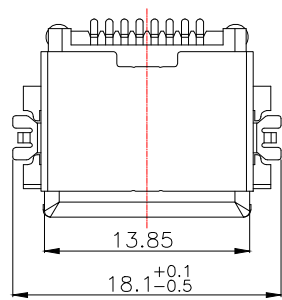


12	13	14	15
MAPX	MODIFICATION	DATE	APPROVE



NOTES

MATERIAL

- 1.HOUSING MATERIAL: GLASS FILLED POLYESTER UL94V-0.
- 2.CONTACT MATERIAL: PHOSPHOR BRONZE=0.3mm.
- 3.PLATING: GOLD FLASH PLATING OVER NICKEL.
- 4.SHIELD: 0.20mm THICKNESS COPPER ALLOY WITH NICKEL PLATED.

ELECTRICAL

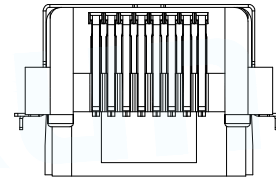
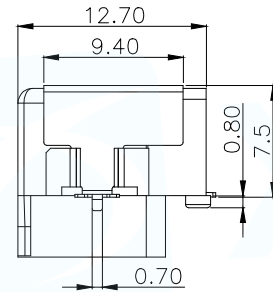
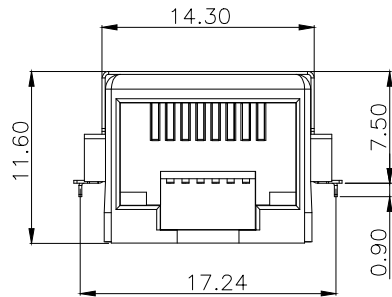
- 1.VOLTAGE RATING: 125 VAC RMS.
- 2.CURRENT RATING: 1.5 AMP.
- 3.CONTACT RESISTANCE: 40 MILLIOHMS MAX.
- 4.INSULATION RESISTANCE: 500 MEGOHMS MIN @ 100V DC .
- 5.DIELECTRIC DIELECTRIC RESISTANCE: 500V DC RMS 50Hz. 1MIN.

MECHANICAL

- 1.DURRABILITY: 750 CYCLES MIN.
- 2.MATING/UNMATING FORCE: 2.24 KG.F MAX.

ENVIRONMENTAL:

- 1.STORAGE: -40℃~+85℃.
- 2.OPERATION: -40℃~+85℃.

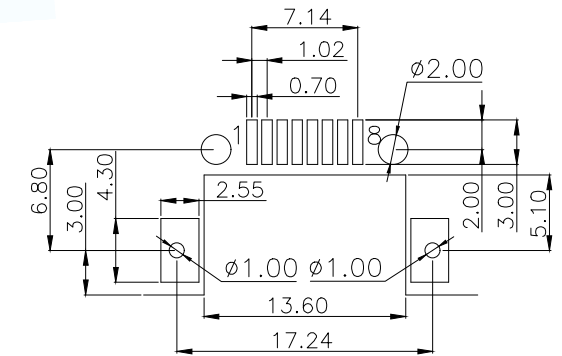
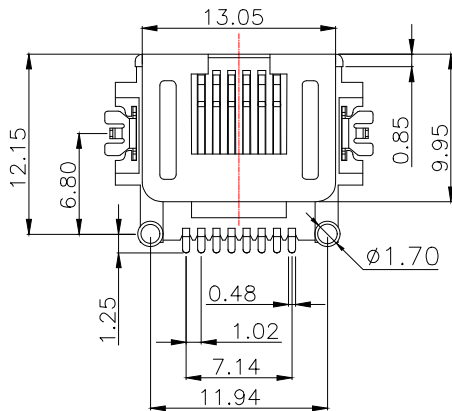


8	—
7	—
6	RX-
5	—
4	—
3	RX+
2	TX-
1	TX+
PIN	说明

PART NUMBER DESCRIPTION:

RJ45-110-051-XX

- 电镀码
- 1-GOLD FLASH
- 3-3u''Au
- 流水码
- 1:PA9T黑 盘装
- 2:PA9T黑 卷装



PCBLAYOUT TOP VIEW

TOL ±0.05

MANUFACTURE DWG		东莞市讯普电子科技有限公司 DongGuan XunPu Electronics Co.,Ltd	
UNLESS OTHERWISE SPECIFIED TOLERANCES			TITLE: RJ45 流板4.1 SMT
			PAR RJ45-110-051-11
DECIMALS:	ANGLES:		DWN
.X:±0.35	X':±3'		CHKD
.XX:±0.25	.X':±2'	APVD	
.XXX:±0.15	.XX':±1'	SCALE:1:1	UNIT:MM
		CUSTOMER COPY	SIZE:A4
			SHEET:1F1
			REV:A