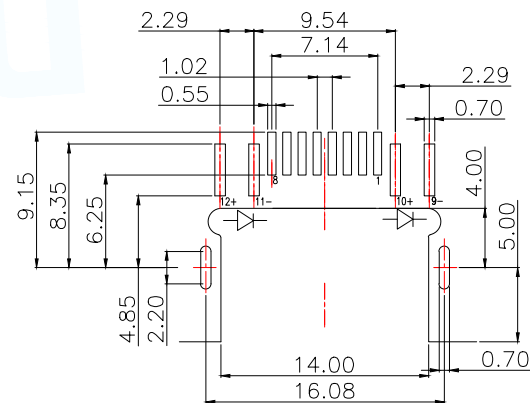
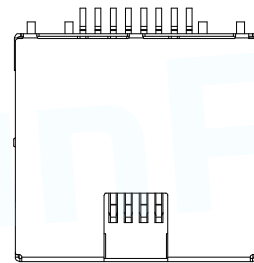
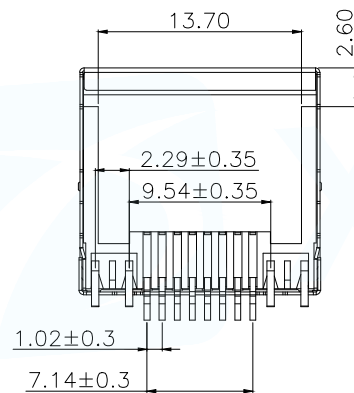
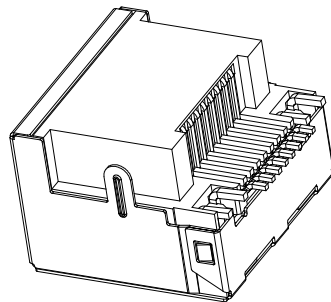


NOTES:
 1. HOUSING MATERIAL:GLASS FILLED POLYESTER UL94V-0.
 2. CONTACT MATERIAL:PHOSPHOR BRONZE.
 3. PLATING: GOLD PLATED ON CONTACT AREA, 100u"MIN. TIN PLATED ON SOLDERING AREA, 50u"MIN. NICKEL PLATED OVERALL.
 4. SHELL:BRASS,T=0.20. WITH 40u" NICKEL PLATED.
 5. LED:T=0.50, TIN PLATED.
 ELECTRICAL:
 1. VOLTAGE RATING: 125V AC RMS.
 2. CURRENT RAIING: 1.5AMP.
 3. CONTACT RESISTANCE: 30MILLIOHMS MAX.
 4. INSULATION RESISTANCE: 500MEGOHMS MIN @500V DC.
 MECHANICAL:
 1. DURRABILITY: 750 CYCLES MIN.
 2.INSERTION FORCE : 22N MAX.
 3.REMOVAL FORCE(WITHOUT PLUG LOCK) : 22N MAX.
 ENVIRONMENTAL:
 1. STORAGE: -40°C~85°C
 2. OPERATION: -40°C~85°C
 3. REFLOW SOLDERING Temperature,255±5°C.
 *Apply to the EU standards(ROSH)
 1. (1) ~ (12) FOR QIP DIM.



PCBLAYOUT TOP VIEW
TOL:±0.05

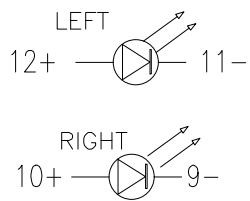
PART NUMBER DESCRIPTION:

RJ45-004-0XX-XX

8	—
7	—
6	RX-
5	—
4	—
3	RX+
2	TX-
1	TX+
PIN	说明

LED Specification

Standard LED Color	LED Wavelength	Foward	Foward
Green	565nm	20mA	1.8-2.4V
Yellow	585nm	20mA	1.8-2.4V
ORANGE	585nm	20mA	1.8-2.8V



电镀码
 1-GOLD FLASH
 3-3u" Au
 5-5u" AU
 7-15u" AU
 8-30u" AU

流水码
 1:LCP黑 盘装
 2:LCP黑 卷装
 类别码
 45:SMT铜壳 左黄右绿
 46:SMT铜壳 左绿右黄
 47:SMT铜壳 左绿右橙

MANUFACTURE DWG		东莞市讯普电子科技有限公司 DongGuan XunPu Electronics Co.,Ltd	
UNLESS OTHERWISE SPECIFIED TOLERANCES			TITLE: RJ45 沉板4.2 SMT有壳有灯LCP黑
			PAR RJ45-004-045-11
DECIMALS:	ANGLES:		DWN
.X:±0.35	X':±3'		CHKD
.XX:±0.25	.X':±2'	APVD	
.XXX:±0.15	.XX':±1'	CUSTOMER COPY	SCALE 1:1 UNIT:MM
		SIZE:A4	UNIT:MM
		SHEET:1F1	REV:A