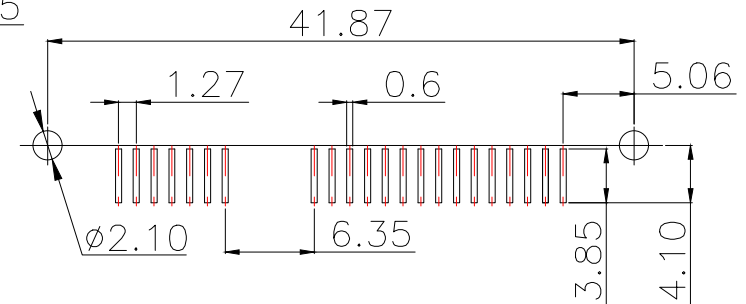
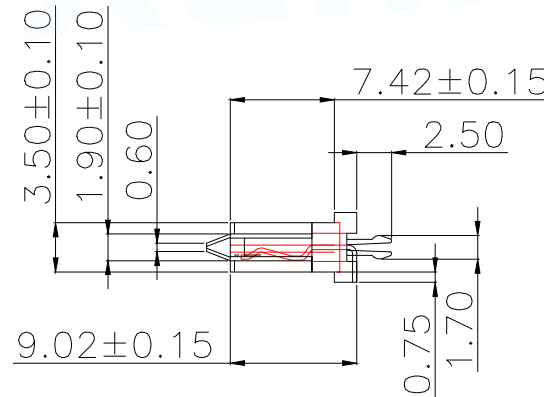
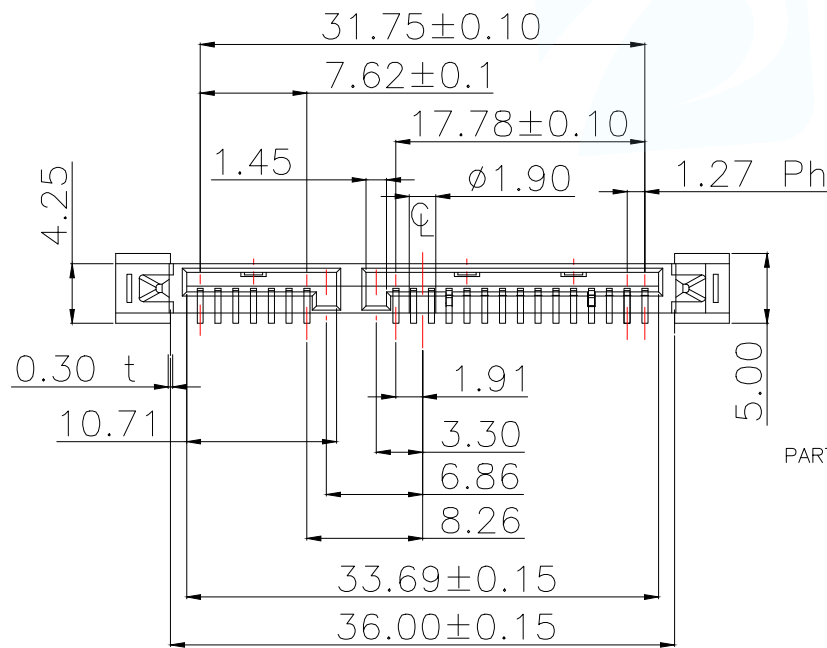


NOTE:

- MATERIAL:  
HOUSING: LCP WITH 30% GF, UL 94V-0, BLACK COLOR.  
CONTACTS: PHOSPHOR BRONZE.  
BORAD LOCK: COPPER ALLOY.
- FINISH:  
CONTACTS: GOLD FALSH PLATED ON CONTACT AREA, [100μ"] MIN..  
BRIGHT-TIN ON SOLDER TAIL, WITH ENTIRE CONTACT UNDERPLATED [50μ"] MIN.. NICKEL.  
BORAD LOCK: [100μ"] MIN. TIN OVER [50μ"]MIN. NICKEL PLATED.



PART NUMBER DESCRIPTION :  
SATA-053-F22SXBY-A

PACKING:  
R-TAPE REEL  
Y-TRAY  
T-TUBE

HOUSING COLOR:  
B-BLACK

PLATING:  
S1-[1μ"]GOLD CONTACT AREA  
[100μ"]TIN SOLDER AREA  
S2-[5μ"]GOLD CONTACT AREA  
[100μ"]TIN SOLDER AREA

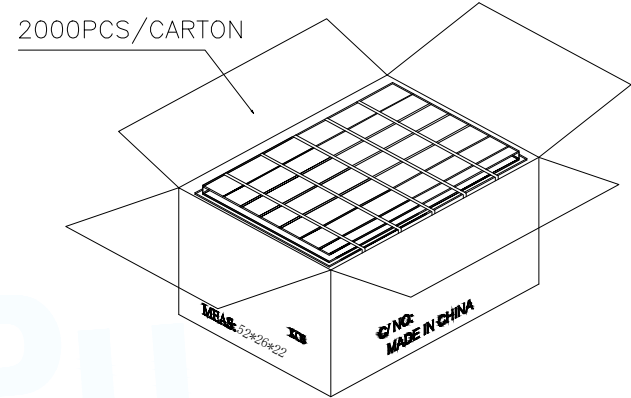
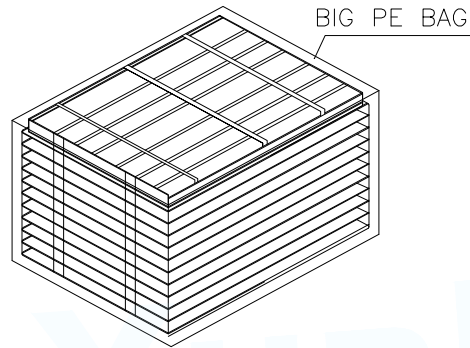
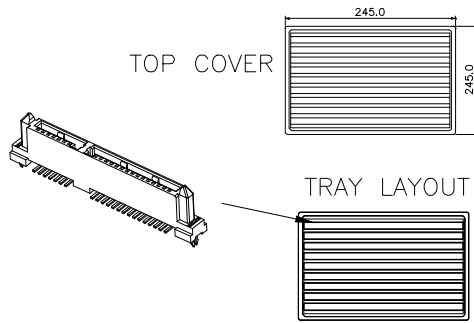
MANUFACTURE DWG		东莞市讯普电子科技有限公司 DongGuan XunPu Electronics Co.,Ltd	
UNLESS OTHERWISE SPECIFIED TOLERANCES		TITLE: SATA 7+15P 立式 SMT 带鱼叉	
		PAR	SATA-053-F22SXBY-A
DECIMALS:	ANGLES:	DWN	
X.X±0.20	X.*±5°	CHKD	
X.XX±0.15	X.X*±2°	APVD	
X.XXX±0.05	X.XX*±1°	SCALE N:A	UNIT:MM
CUSTOMER COPY		SIZE:A4	SHEET:1F1
			REV:A

2-1 每箱分2扎装,每扎共20盘,用PE膜扎成一扎;每箱的数量小计:  
 $(50*20) + (50*20) = 2000CS$

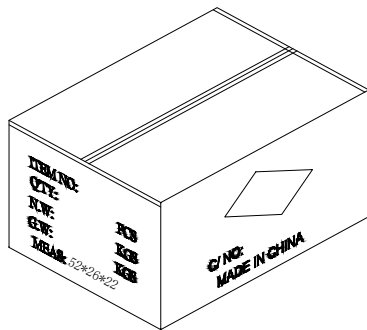
3-1 将2摆成品依次放入纸箱内.备注:  
 纸箱规格:长52\*宽26\*高22CM K=A

- 1-1 将SATA 产品整齐的装入真空盒底盒内.
- 1-2 将真空盒盖在装有成品的底盒上,以免产品漏失.

备注: 每盘装成品50PCS  
 真空壳规格:长245\*宽245\*高10CM



- 4-1 纸箱开口处以透明胶带贴合.
- 4-2 若有未装满的零数箱,必须以缓冲材塞满.



MANUFACTURE DWG		 东莞市讯普电子科技有限公司 DongGuan XunPu Electronics Co.,Ltd	
UNLESS OTHERWISE SPECIFIED TOLERANCES			TITLE: SATA 7+15P 立式 SMT 带鱼叉
			PAR SATA-053-F22SXBY-A
DECIMALS:	ANGLES:		DWN
X.X±0.20	X.*±5°		CHKD
X.XX±0.15	X.X*±2°	APVD	
X.XXX±0.05	X.XX*±1°	CUSTOMER COPY	SCALE N:A UNIT:MM
		SIZE:A4	UNIT:MM
		SHEET:1F1	REV:A