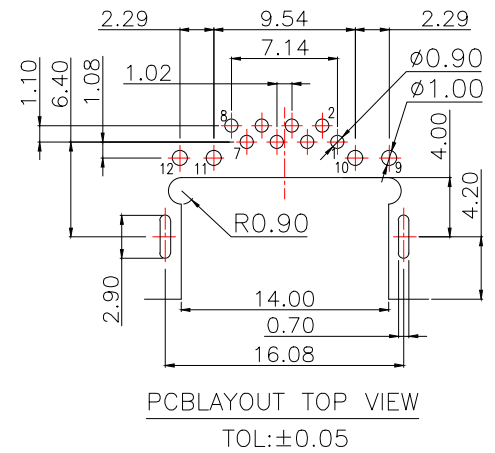
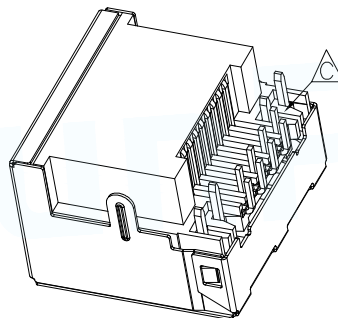
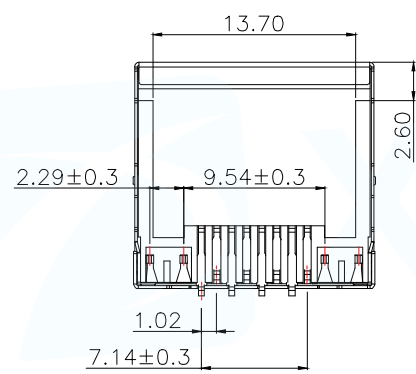
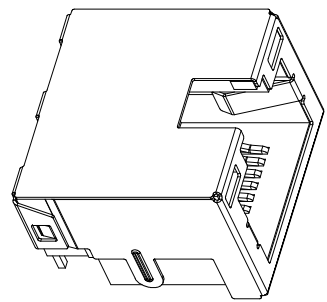
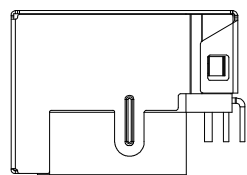
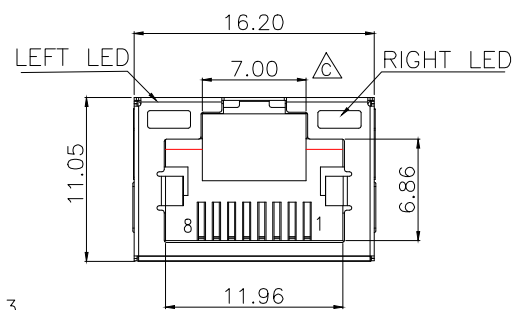
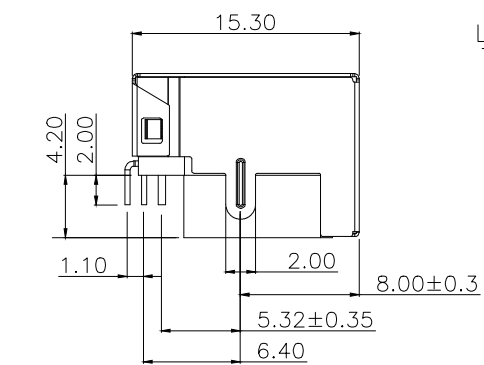


脚位尺寸以过孔规为准

NOTES:

- HOUSING MATERIAL:GLASS FILLED POLYESTER UL94V-0.
  - CONTACT MATERIAL:PHOSPHOR BRONZE.
  - PLATING: GOLD PLATED ON CONTACT AREA, 100u"MIN. TIN PLATED ON SOLDERING AREA, 50u"MIN. NICKEL PLATED OVERALL.
  - SHELL:BRASS,T=0.20. WITH 40u" NICKEL PLATED.
  - LED:T=0.50, TIN PLATED.
- ELECTRICAL:
- VOLTAGE RATING: 125V AC RMS.
  - CURRENT RAIING: 1.5AMP.
  - CONTACT RESISTANCE: 30MILLIOHMS MAX.
  - INSULATION RESISTANCE: 500MEGOHMS MIN @500V DC.
- MECHANICAL:
- DURRABILITY: 750 CYCLES MIN.
  - INSERTION FORCE : 22N MAX.
  - REMOVAL FORCE(WITHOUT PLUG LOCK) : 22N MAX.
- ENVIRONMENTAL:
- STORAGE: -40°C~85°C
  - OPERATION: -40°C~85°C
  - REFLOW SOLDERING Temperature,255±5°C.
- \*Apply to the EU standards(ROSH)  
1. ① ~ ⑫ FOR QIP DIM.



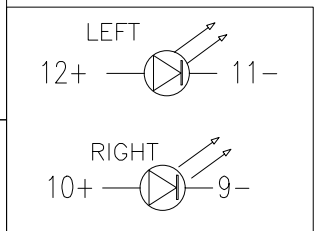
PART NUMBER DESCRIPTION:

RJ45-004-0XX-XX

- 电镀码
- 1-GOLD FLASH
- 3-3u" Au
- 5-5u" AU
- 7-15u" AU
- 8-30u" AU
- 流水码
- 1:LCP黑 盘装
- 2:LCP黑 卷装
- 类别码
- 06:DIP 铜壳 左黄右绿
- 07:DIP 铜壳 左绿右黄
- 08:DIP 铜壳 左黄右橙

|     |       |
|-----|-------|
| 8   | — / — |
| 7   | — / — |
| 6   | RX-   |
| 5   | — / — |
| 4   | — / — |
| 3   | RX+   |
| 2   | TX-   |
| 1   | TX+   |
| PIN | 说明    |

LED Specification



| Standard LED Color | LED Wavelength | Foward | Foward   |
|--------------------|----------------|--------|----------|
| Green              | 565nm          | 20mA   | 1.8-2.4V |
| Yellow             | 585nm          | 20mA   | 1.8-2.4V |
| ORANGE             | 585nm          | 20mA   | 1.8-2.8V |

MANUFACTURE DWG

东莞市讯普电子科技有限公司  
DongGuan XunPu Electronics Co.,Ltd

UNLESS OTHERWISE SPECIFIED TOLERANCES

TITLE:  
RJ45 沉板4.2 DIP 带壳 带灯

PAR: RJ45-004-006-11

DECIMALS: .X:±0.35 .XX:±0.25 .XXX:±0.15

ANGLES: X':±3° .X':±2° .XX':±1°

CUSTOMER COPY

SCALE:1:1

UNIT:MM

SIZE:A4

SHEET:1F1

REV:A