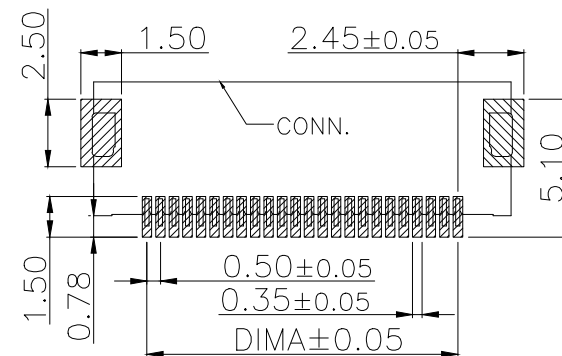
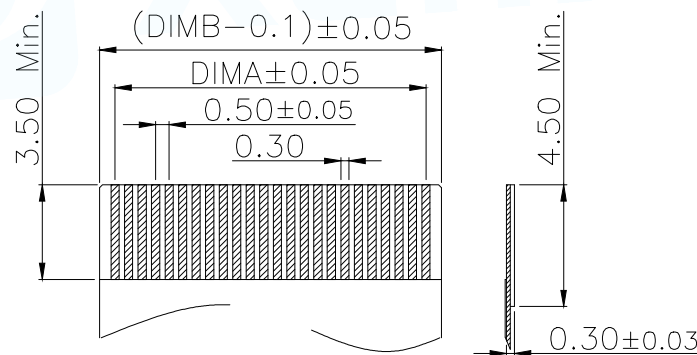
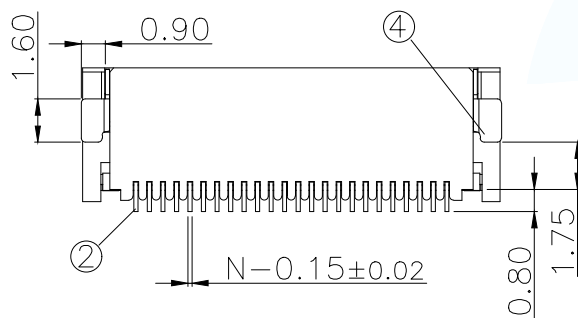


Part No	Pin	A	B	C
FPC-0.5HF-4PWBR-H20	4	1.50	2.52	5.54
FPC-0.5HF-5PWBR-H20	5	2.00	3.02	6.04
FPC-0.5HF-6PWBR-H20	6	2.50	3.52	6.54
FPC-0.5HF-7PWBR-H20	7	3.00	4.02	7.04
FPC-0.5HF-8PWBR-H20	8	3.50	4.52	7.54
FPC-0.5HF-9PWBR-H20	9	4.00	5.02	8.04
FPC-0.5HF-10PWBR-H20	10	4.50	5.52	8.54
FPC-0.5HF-11PWBR-H20	11	5.00	6.02	9.04
FPC-0.5HF-12PWBR-H20	12	5.50	6.52	9.54
.....	.....	.....	.....	.....
FPC-0.5HF-60PWBR-H20	60	(60-1)*0.5	(60+8)*0.5+0.02	(60+7)*0.5+0.04
FPC-0.5HF-80PWBR-H20	80	(60-1)*0.5	(60+8)*0.5+0.02	(60+7)*0.5+0.04



适用线路板(PCB LAYOUT)

序号	品名	材质
1	0.5后翻胶芯(H2.0)	LCP UL94V-0 本色
2	0.5后翻端子(H2.0)	铜合金/表面点镀金
3	0.5后翻后盖(H2.0)	LCP UL94V-0 黑色
4	0.5后翻焊片(H2.0)	铜合金/表面镀锡

适用扁平线(Applicable Flat Cable)

技术指标:

1. 塑件表面应光洁、无毛边、无明显收缩、缺陷、裂纹等现象。
2. 温度范围: -25°C~+85°C.
3. 额定电压: 50V, AC/DC.
4. 接触电阻: ≤0.03Ω.
5. 绝缘电阻: ≥500MΩ

MANUFACTURE DWG			东莞市讯普电子科技有限公司 DongGuan XunPu Electronics Co.,Ltd	
UNLESS OTHERWISE SPECIFIED TOLERANCES			TITLE: 0.5 Pitch H2.0 Backflip R/A Type CONN	
DECIMALS:	ANGLES:	PAR	FPC-0.5HF-NPWBR-H20	
.X:±0.30	.X':±5°	DWN		
.XX:±0.20	.XX':±2°	CHKD		
.XXX:±0.05	.XXX':±1°	APVD		
CUSTOMER COPY		SCALE:1:1	UNIT:MM	
		SIZE:A4	SHEET:1F1	REV:A