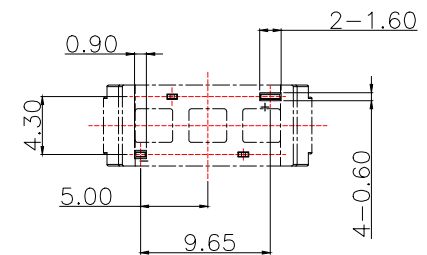
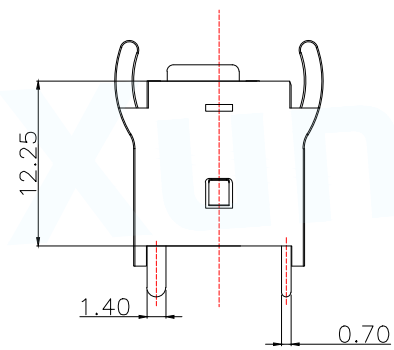
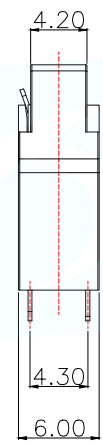
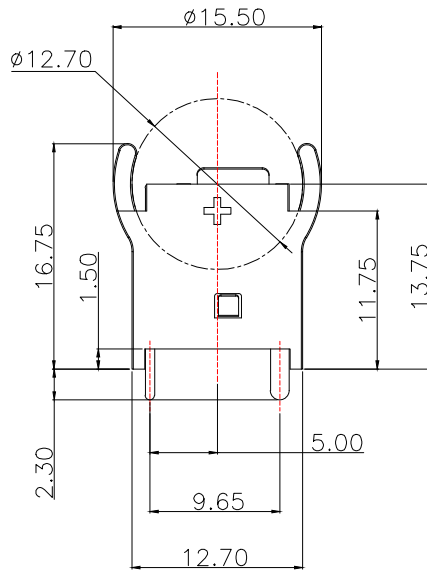
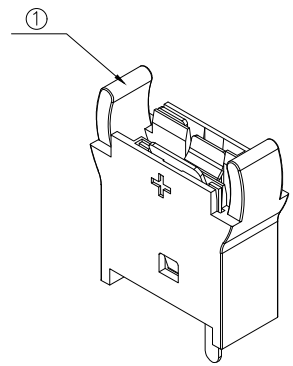
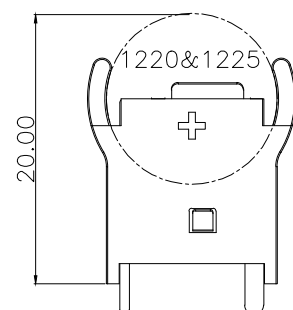
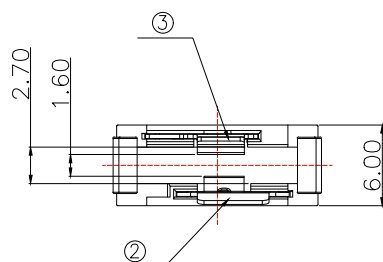




12	13	14	15
MAPX	MODIFICATION	DATE	APPROVE



NOTE:
 1.MATERIAL:
 a.HOUSING:PA66
 b.CONTACT:C5191
 (SURFACE PLATING: Ni100U"~120U")
 2.ELECTRIC:
 a.CONTACT RESISTANCE: 100 MILLIOHMS
 MAX
 b.INSULATION RESISTANCE: 100 MEGA
 OHMS MIN
 c.DIELECTNIC VOLTAGE: 500V AC ONE
 SEC LEVEL
 d.OPERATING TEMPERATURE: -25°C~
 +85°C

PCB Layout Diagram
 BOTTOM View

3	TERMINAL(-)	1	C5191 T=0.3mm	Ni-Plating
2	TERMINAL(+)	1	C5191 T=0.3mm	Ni-Plating
1	HOUSING	1	PA66	BLACK
NO.	PART NAME	Q'TY	MATERIAL	PLATING & COLOR

MANUFACTURE DWG		东莞市讯普电子科技有限公司 DongGuan XunPu Electronics Co.,Ltd	
UNLESS OTHERWISE SPECIFIED TOLERANCES			TITLE: Ni DIP 双侧针
DECIMALS:	ANGLES:		PAR BS-1201-DJ-1B
X.X±0.30	X.*±5°		DWN
X.XX±0.25	X.X*±1°		CHKD
X.XXX±0.15		APVD	SCALE N:A UNIT:MM
CUSTOMER COPY		SIZE:A4	SHEET:1F1 REV:A