

RECOMMENDED P.C.B HOLE LAYOUT COMPONENT SIDE VIEW(TOLERANCE: +/-0.05)

NOTES:

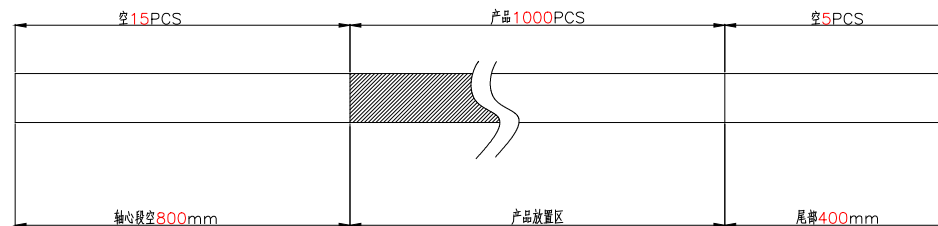
- MATERIAL:
 - Housing:High Temperature Thermoplastic UL94V-0; Color Black.
 - Contacts: Phosphor Bronze.
 - Tin 80u" at Solder Tail,
 - Selected Gold Flash on Contact Area plating.
 - Shell: Stainless.
 - Gold Flash on Contact solder Area Over Nickel Plating.
- Electrical Characteristics:
 - Operating voltage :50v AC(rms)/DC.
 - Current rating :0.5 A.
 - Operating Temperature:-40v~+85v.
 - Insulation resistance:1000M ohms min. at 500VDC
 - Dielectric withstanding voltage :500 VAC/1minute.
 - Contact resistance:100m ohms max.
- Mechanical characteristics
 - Insertion force: 2.0kg Max.
 - Extraction force: 0.5kg Min.
 - Mating durability: 5000 cycles at the speed rate of 400-600 cycles/h; Without distortion of plastic and serious wear and tear in terminal, No signal break.

TF CARD PIN DEFINE			
PIN NO.	NAME	YYPE	DESCRIPTION
1	DAT2	I/O/PP	DATE LINE(BIT2)
2	CD/DAT3	I/O/PP	CARD DETECT DATE LIN(BIT3)
3	CMD	PP	COMMAND RESPONSE
4	VDD	S	SUPPLY VOLTAGE
5	CLK	I	CLOCK
6	VSS	S	SUPPLY VOLTAGE GROUND
7	DAT0	I/O/PP	DATE LINE(BIT0)
8	DAT1	I/O/PP	DATE LINE(DIT1)
9	CARD DETECT		

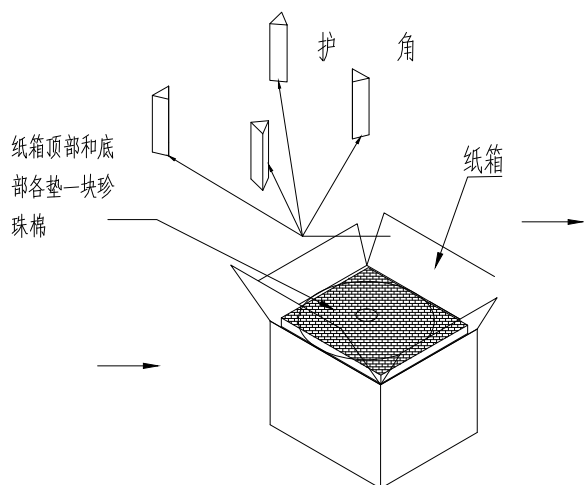
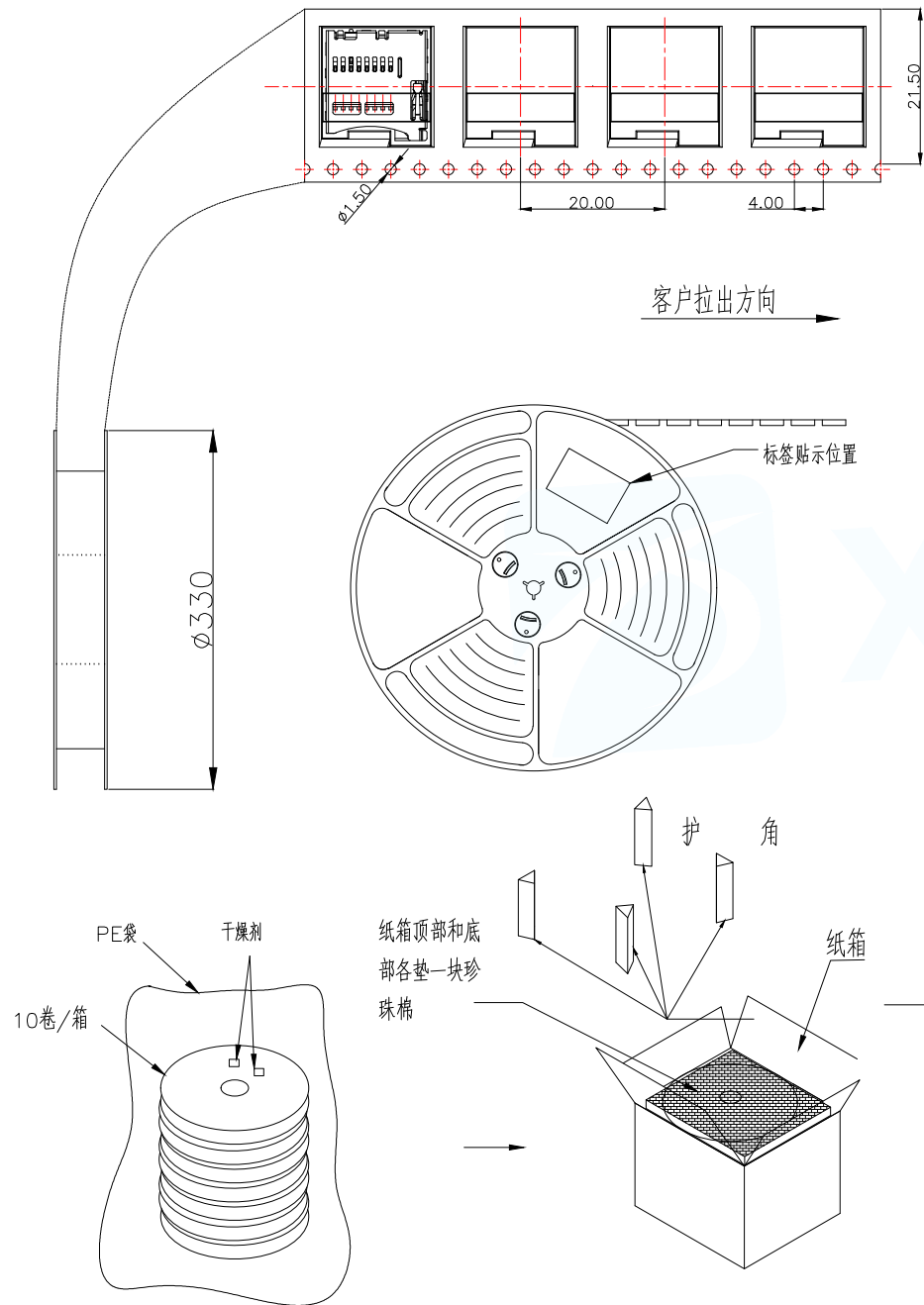
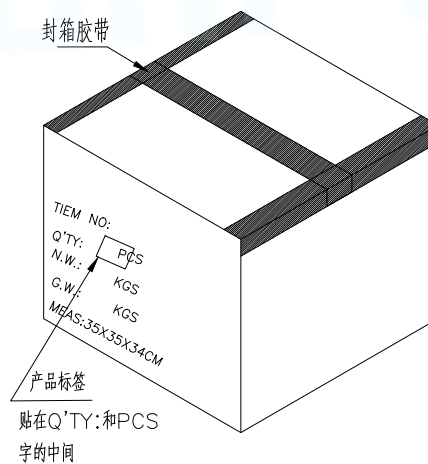
MANUFACTURE DWG			 东莞市讯普电子科技有限公司 DongGuan XunPu Electronics Co.,Ltd	
UNLESS OTHERWISE SPECIFIED TOLERANCES			TITLE:T-FLASH CARD PUSH C TYPE 内焊	
DECIMALS:	ANGLES:	PAR	TF-101A-ARP9	
X.X:±0.30	X'::±2'	DWN		
X.XX:±0.20		CHKD		
X.XXX:±0.10		APVD		
		SCALE:1:1	UNIT:MM	
		CUSTOMER COPY	SIZE:A4	
			SHEET:1F1	REV:A

NOTES

1. 每卷包装数量: 1000PCS/每卷
2. 卷带包装方式:



3. 每箱包装数量: 10000PCS/箱



MANUFACTURE DWG		 东莞市讯普电子科技有限公司 DongGuan XunPu Electronics Co.,Ltd	
UNLESS OTHERWISE SPECIFIED TOLERANCES		 TITLE: T-FLASH CARD PUSH PUSH C TYPE 内焊	
DECIMALS:	ANGLES:	PAR	TF-101A-ARP9
X.X: ±0.30	X':: ±2'	DWN	
X.XX: ±0.20		CHKD	
X.XXX: ±0.10		APVD	
		SCALE: 1:1	UNIT: MM
		CUSTOMER COPY	SIZE: A4
			SHEET: 1F1
			REV: A