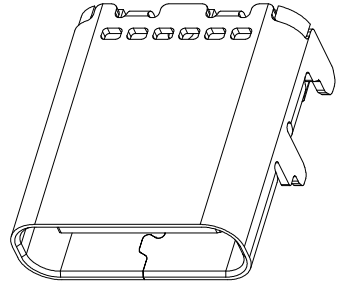
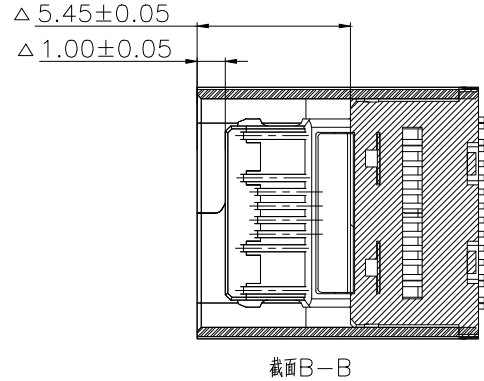
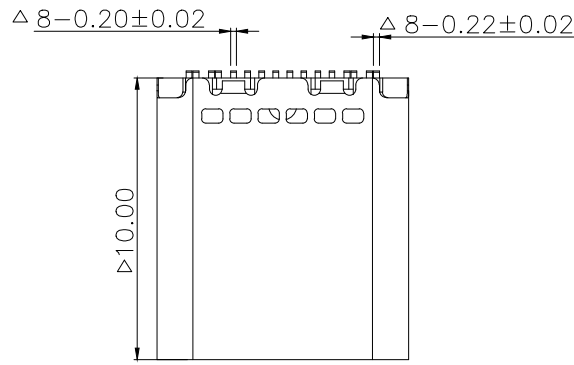
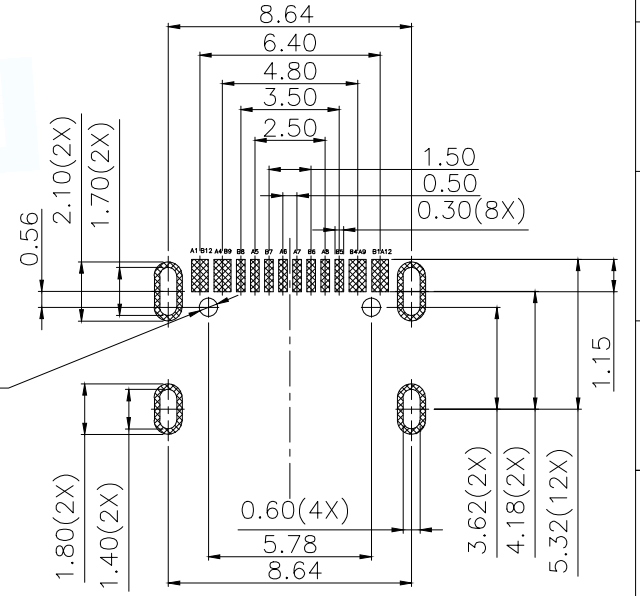
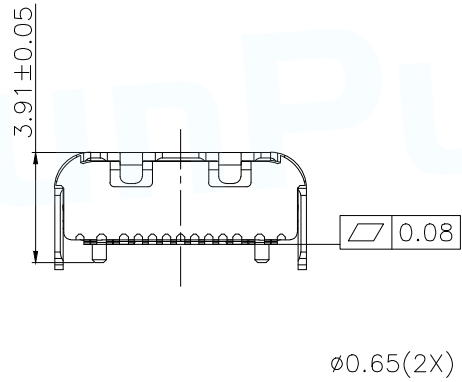
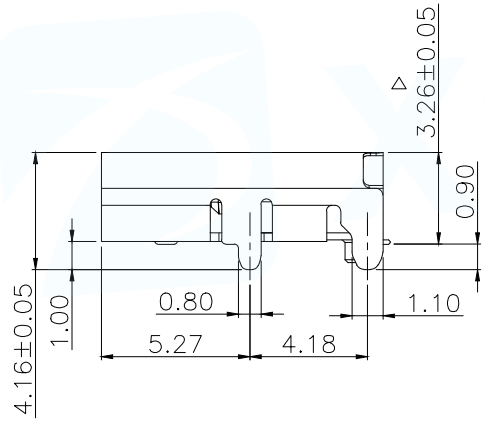
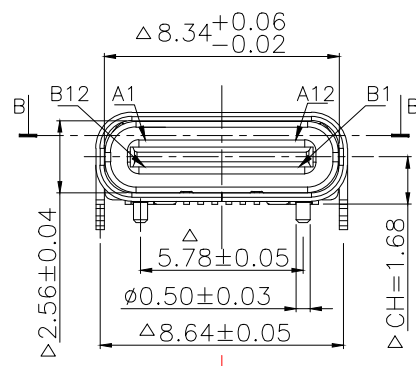


MAPX	MODIFICATION	DATE	DRAW	APPROVE

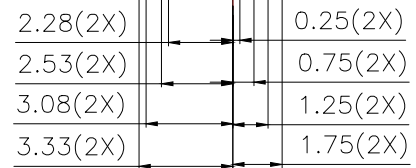


NOTE:  
 1.MATERIAL:  
 1.1 INSULATOR: HIGH TEMPERATURE PLASTIC UL 94V-0;  
 1.2 CONTACT: COPPER ALLOY  
 1.3 SHELL:STAINLESS STEEL  
 2.ELECTRICAL CHARACTERISTICS:  
 2.1 CONTACT RESISTANCE: 40mΩ Max FOR INITIAL. 30mΩ CHANGE AFTER TEST. MEASURE AT 20mV, 100mA.  
 2.2 CONTACT CURRENT RATING: 5A FOR VBUS PIN; 1.25A FOR VCONN PIN.  
 2.3 DIELECTRIC WITHSTANDING VOLTAGE: 100V AC R.M.S.  
 2.4 INSULATION RESISTANCE 100MΩ Min  
 2.5 OPERATING TEMPERATURE: -40°C ~ 85°C  
 3 MECHANICAL CHARACTERISTICS:  
 3.1 MATING FORCE: 5~20 N.  
 3.2 UNMATED FORCE: 8~20N AFTER TEST  
 3.3 DURABILITY: 10,000 CYCLES  
 4.PLATING  
 4.1 TERMINAL CONTACT: (SEE TAB) GOLD PLATING ALL OVER 50u" Min NICKEL AND 80u"Min Tin ALL OVER 50u" Min NICKEL ON SOLDER AREA  
 4.2 SHELL: 50u" Min. NICKEL ALL OVER,  
 5.TID 5719  
 6.\* Δ \*Focus on size control

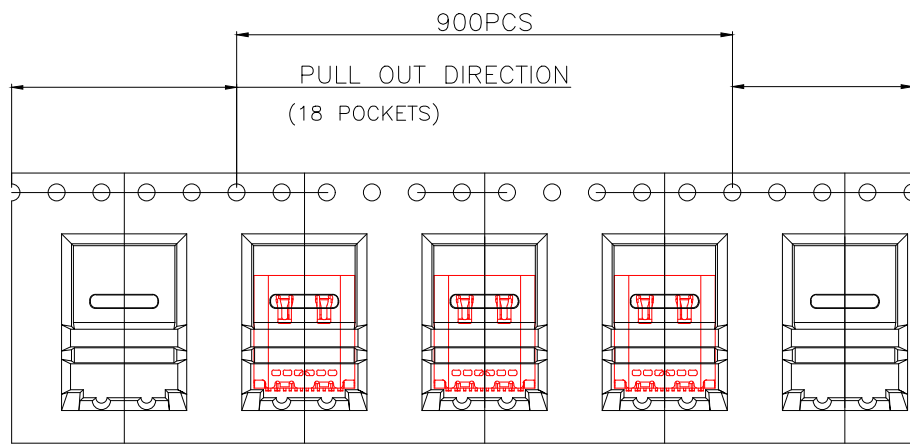


USB TYPE-C PIN ASSIGNMENTS

PIN NUMBER	SIGNAL NAME	PIN NUMBER	SIGNAL NAME
A1	GND	B12	GND
A4	VBUS	B9	VBUS
A5	CC1	B8	SBU2
A6	Dp1	B7	Dn2
A7	Dn1	B6	Dp2
A8	SBU1	B5	CC2
A9	VBUS	B4	VBUS
A12	GND	B1	GND

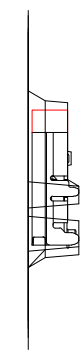


MANUFACTURE DWG		东莞市讯普电子科技有限公司 DongGuan XunPu Electronics Co.,Ltd	
UNLESS OTHERWISE SPECIFIED TOLERANCES			TITLE: TYPE C 板上单排16PIN L=10.0MM无弹片
DECIMALS:	ANGLES:		PAR TYPE-C-601-WSL100
.X:±0.30	X':±10°		DWN
.XX:±0.20	.X':±8°		CHKD
.XXX:±0.10	.XX':±5°	APVD	SCALE N:A UNIT:MM
CUSTOMER COPY		SIZE:A4	SHEET:1F1 REV:A

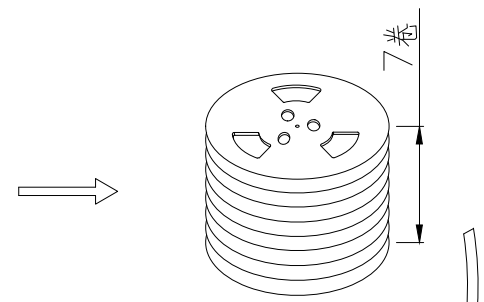


① 产品入载带示意图

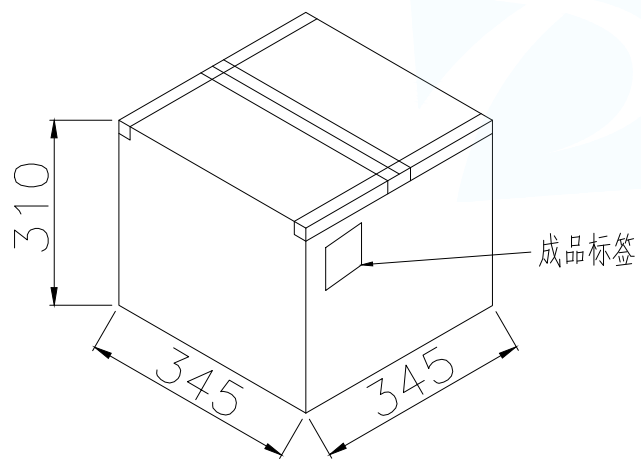
PULL OUT DIRECTION  
(18 POCKETS)



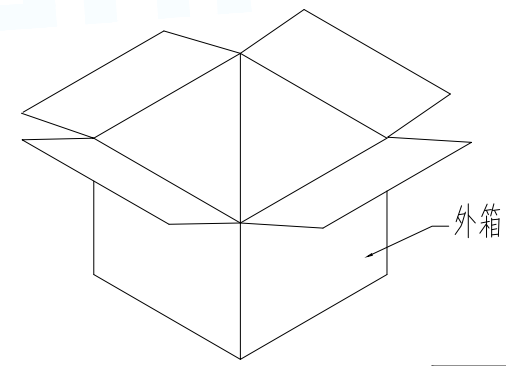
② 卷盘贴标签示意图



③ 7盘产品叠层示意图



⑤ 外箱封箱示意图



④ 产品入外箱示意图

	REEL	CARTON
CONNECTOR (PCS)	900	6300

包装说明:

1. 将检验好的成品;对插口朝前放入载带;每卷装900PCS产品;具体如图一所示
2. 将包装好的产品;每盘必需贴上内标签;具体如图二所示
3. 将贴好内标签的产品每7盘叠;具体如图三所示
5. 装好后并封好纸箱及贴好相关标签;具体如图五所示,  
(产品包装的标签,如客户有要求,请按客户要求包装出货)
6. 载带前面留18PCS空格,后面留18PCS空格
7. COVER与CARRY剥离力:50—125g,速度:300mm/分钟左右  
剥离角度:165°—180°

MANUFACTURE DWG		 东莞市讯普电子科技有限公司 DongGuan XunPu Electronics Co.,Ltd	
UNLESS OTHERWISE SPECIFIED TOLERANCES			TITLE: TYPE-C 16PIN板上包装规范
DECIMALS:	ANGLES:		PAR TYPE-C-601-WSC100
.X:±0.30	X.:±10°		DWN
.XX:±0.20	.X':±8°		CHKD
.XXX:±0.10	.XX':±5°	APVD	SCALE N:A UNIT:MM
CUSTOMER COPY		SIZE:A4	SHEET:1F1 REV:A