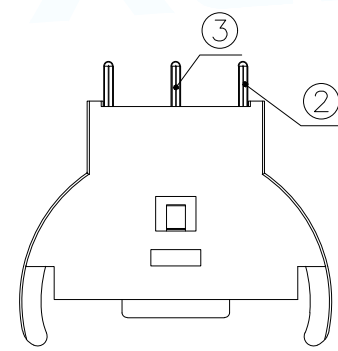
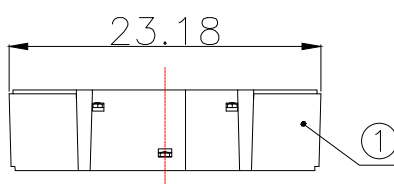
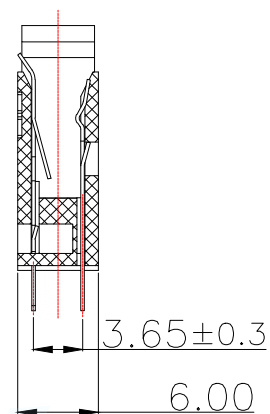
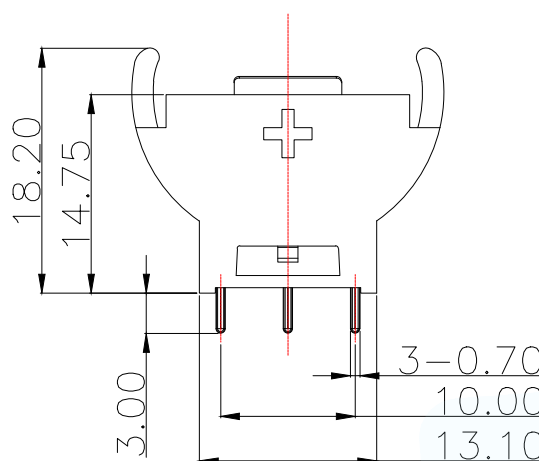


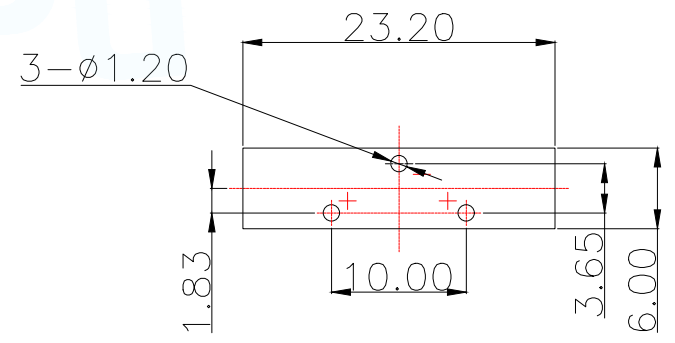


12	13	14	15
MAPX	MODIFICATION	DATE	APPROVE



NOTE:

- 1.MATERIAL:
 - a.HOUSING:PA66
 - b.CONTACT:BRASS
(SURFACE PLATING: Ni 100u"-120u")
- 2.ELECTRIC:
 - a.CONTACT RESISTANCE: 100 MILLIOHMS MAX
 - b.INSULATION RESISTANCE: 100 MEGA OHMS MIN
 - c.DIELECTNIC VOLTAGE: 500V AC ONE SEC LEVEL
 - d.OPERATING TEMPERATURE: -25°C~+85°C



PCB Layout Diagram
Top View

3	TERMINAL(-)	1	BRASS, T=0.25mm	Ni Plating
2	TERMINAL(+)	1	BRASS, T=0.25mm	Ni Plating
1	HOUSING	1	PA66	BLACK
NO.	PART NAME	Q'TY	MATERIAL	PLATING & COLOR

MANUFACTURE DWG		东莞市讯普电子科技有限公司 DongGuan XunPu Electronics Co.,Ltd		
UNLESS OTHERWISE SPECIFIED TOLERANCES			TITLE: NI DIP	
DECIMALS: X.X±0.30			PAR	BS-0501-DJ-1B
ANGLES: X.*±5'			DWN	
X.XX±0.25			CHKD	
X.XXX±0.15		X.X'±1'	APVD	
CUSTOMER COPY		SCALE N:A	UNIT:MM	
		SIZE:A4	SHEET:1F1	
			REV:A	