



12	13	14	15
MAPX	MODIFICATION	DATE	APPROVE

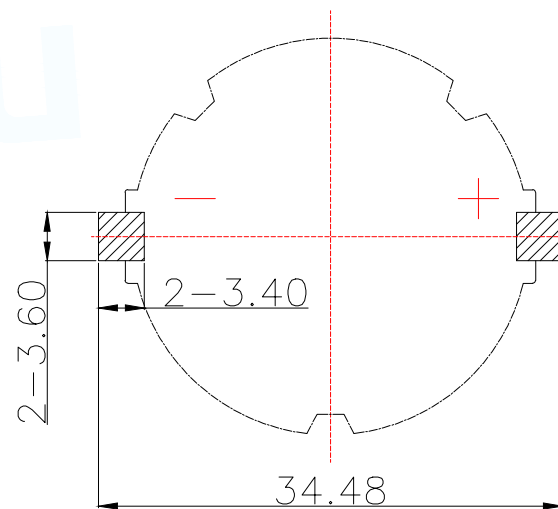
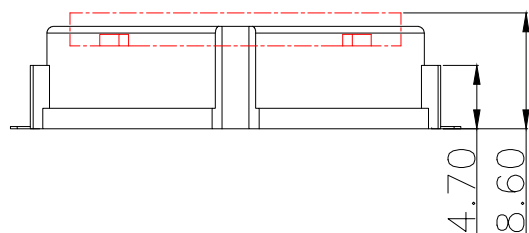
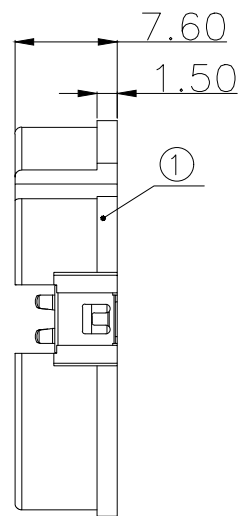
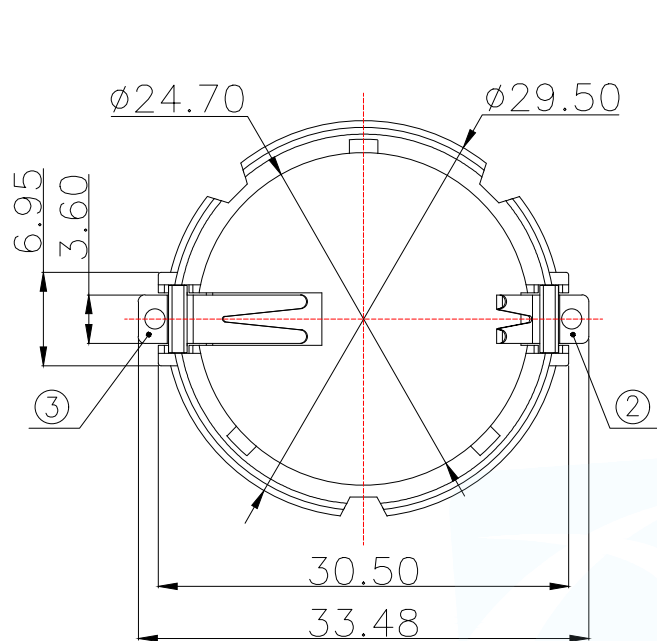
NOTE:

1.MATERIAL:

- a.HOUSING:LCP UL94V-0
- b.CONTACT:PHOSPHOR BRONZE  
(SURFACE PLATING: Sn100u"-120u")

2.ELECTRIC:

- a.CONTACT RESISTANCE: 50 MILLIOHMS  
MAX
- b.INSULATION RESISTANCE: 100 MEGA  
OHMS MIN
- c.DIELECTNIC VOLTAGE: 500V AC ONE  
SEC LEVEL
- d.OPERATING TEMPERATURE: -25°C~  
+85°C



PCB Layout Diagram  
Top View

③	TERMINAL(-)	1	PHOSPHOR BRONZE, T=0.20mm	Sn Plating and Ni Under-Plating
②	TERMINAL(+)	1	PHOSPHOR BRONZE, T=0.20mm	Sn Plating and Ni Under-Plating
①	HOUSING	1	LCP	WHITE
NO.	PART NAME	Q'TY	MATERIAL	PLATING & COLOR

MANUFACTURE DWG		东莞市讯普电子科技有限公司 DongGuan XunPu Electronics Co.,Ltd	
UNLESS OTHERWISE SPECIFIED TOLERANCES		TITLE: Sn SMT LCP 絶	
DECIMALS: X.X±0.30 X.XX±0.25 X.XXX±0.15		PAR BS-2404-SK-4W DWN CHKD APVD SCALE N:A UNIT:MM SIZE:A4 SHEET:1F1	
ANGLES: X.*±5° X.X°±1°		REV:A	
CUSTOMER COPY			