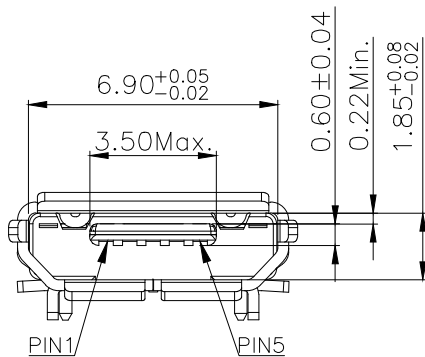


RECOMMENDED PCB LAYOUT(TOP VIEW)
GENERAL TOLERANCES:±0.05



NOTES:

1. CURRENT RATING: 0.5A(2.3.4CONTACT)/1.8A(1.5CONTACT) MAX.
2. VOLTAGE: 30 VAC
3. TEMPERATURE RANGE: -30 °C ~ 85 °C
4. CONTACT RESISTANCE: 30 MILLIONHM MAX.
5. DIELECTRIC WITHSTANDING VOLTAGE: 250 VAC r.m.s
6. INSULATION RESISTNACE: 100 MEGOHMS MIN

4	PLATE	STAINLESS STEEL T=0.10mm	---	1SET
3	CONTACT	COPPER ALLOY T=0.15mm	Au30u" Ni50u"	1SET
2	HOUSING	HIGH TEMPERATURE PLASTIC	BLACK UL94V-0	1PCS
1	SHELL	STAINLESS STEEL T=0.30mm	Matte Tin 80"/Ni 50u"	1PCS
NO.	DESCRIPTION	MATERIAL	REMARKS	QTY

MANUFACTURE DWG		东莞市讯普电子科技有限公司 DongGuan XunPu Electronics Co.,Ltd	
UNLESS OTHERWISE SPECIFIED TOLERANCES			TITLE: MICRO USB
			5P 全插式带铁片
DECIMALS:	ANGLES:	PAR	MU-122-CRSY
X.X±0.30	X.*±5°	DWN	
X.XX±0.25	X.X*±1°	CHKD	
X.XXX±0.15		APVD	
CUSTOMER COPY		SCALE N:A	UNIT:MM
		SIZE:A4	SHEET:1F1
			REV:A