

Specifications:

Electrical:

- Current Rating  
1.5A/contact terminal
- Voltage Rating  
30V DC
- Contact Resistance  
30 milliohms MAX
- Dielectric Withstanding Voltage:  
500 V AC AT Sea Level
- Insulation Resistance:  
1000MEGA ohms MIN

Mechanical:

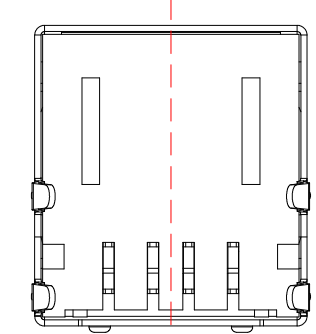
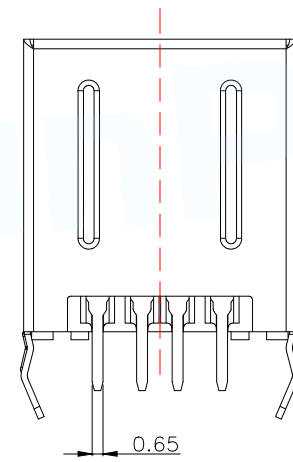
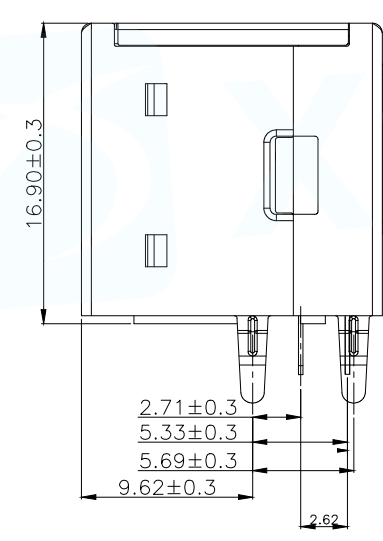
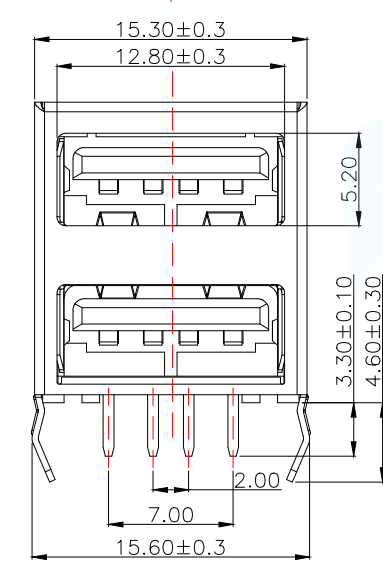
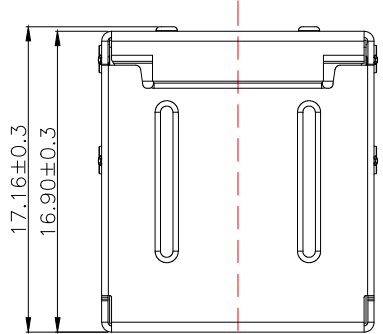
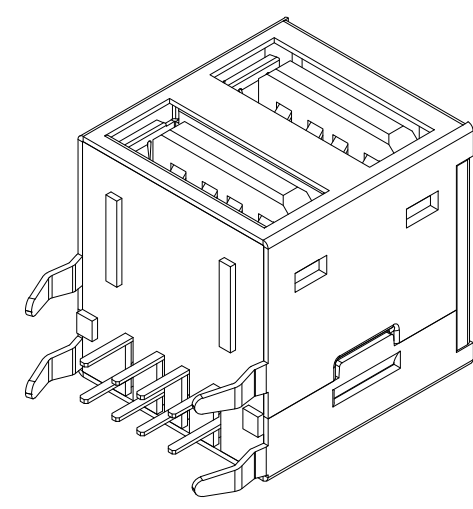
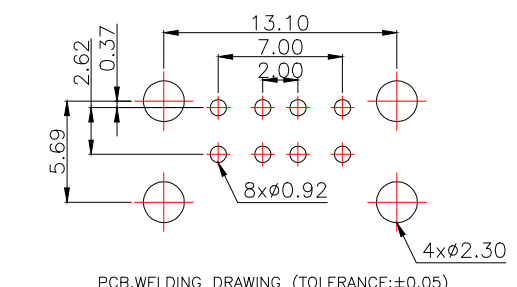
- Connector Mate and Unmate Force  
Mate force:3.75kgf (MAX)  
Unmate force:1.02kgf (MIN)
- Terminal Retention 1.2kgf (MIN)

Material:

- Housing:Hing Temperature Thermoplastics,UL 94V-0 PBT/LCP White/Black
- Contact:Copper Alloy C2680
- Shell: Copper Alloy C2680/SPCC

Finish:

- Contact: Plated Gold in Mating Area;Tin On Solder Talls
- Shell: Nickel Plating



Pin Definition		
PIN	Signal Name	Describe
1	VBUS	+5V
2	D-	Neagative Data Channel
3	D+	Positive Data Channel
4	GND	Ground

MANUFACTURE DWG		东莞市讯普电子科技有限公司 DongGuan XunPu Electronics Co.,Ltd	
UNLESS OTHERWISE SPECIFIED TOLERANCES		TITLE: USB-AF-90°双层一包	
DECIMALS:		PAR USB-269-BRW	
ANGLES:		DWN	
X.X±0.30	X.*±5°	CHKD	
X.XX±0.25	X.X*±1°	APVD	
X.XXX±0.15		SCALE N:A	UNIT:MM
CUSTOMER COPY		SIZE:A4	SHEET:1F1
			REV:A