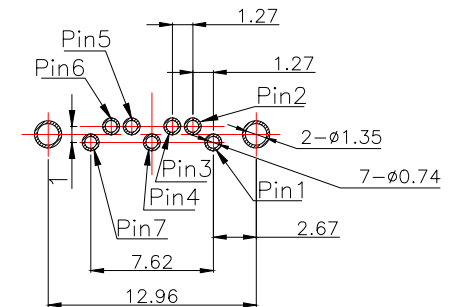
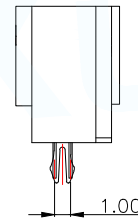
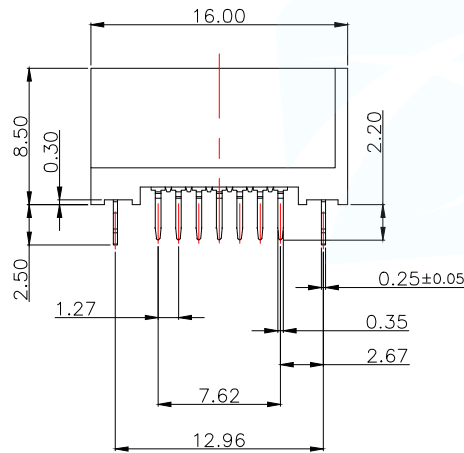
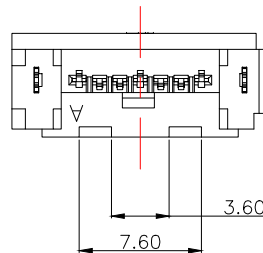


- 1.MATERIAL SPECIFICATION,
 - 1-1.HOUSING:SEE TABLE;
 - 1-2.CONTACT:BRASS C2680;
 - 1-3.HOOK:BRASS C2680;
- 2.PLATING SPECIFICATION,
 - 2-1.CONTACT:
UNDER PLATING:Ni 50u" Min PLATED OVER ALL;
CONTACT AREA: SEE TABLE;
SOLDER TAIL: MATTE TIN 100u" Min PLATED,
 - 2-2.HOOK: MATTE TIN 100u" Min PLATED OVER Ni 50u" Min.
- 3.MECHANICAL PERFORMANCE,
 - 3-1.INSERTION FORCE:45N Max
 - 3-2.REMOVAL FORCE:10N Min
 - 3-3.DURABILITY:50 CYCLES
- 4.ELECTRICAL PERFORMANCE,
 - 4-1.CURRENT RATING:1.5A Max
 - 4-2.INSULATION RESISTANCE:1000 MEGAOHMS Min.
 - 4-3.DIELECTRIC WITHSTAND VOLTAGE:500VRMS AT SEA LEVEL



RECOMMENDED P.C.B. LAYOUT(TOP VIEW)
THICKNESS:1.6mm; TOLERANCE ±0.05mm



MANUFACTURE DWG		 东莞市讯普电子科技有限公司 DongGuan XunPu Electronics Co.,Ltd	
UNLESS OTHERWISE SPECIFIED TOLERANCES			TITLE: SATA2.0 7Pin CONN. 固定扣脚 PH1.0
DECIMALS:	ANGLES:		PAR SATA-603-M07S1BY-A
X.X±0.20	X.*±5°		DWN
X.XX±0.15	X.X*±2°		CHKD
X.XXX±0.05	X.XX*±1°	APVD	SCALE N:A UNIT:MM
CUSTOMER COPY		SIZE:A4	SHEET:1F1
			REV:A