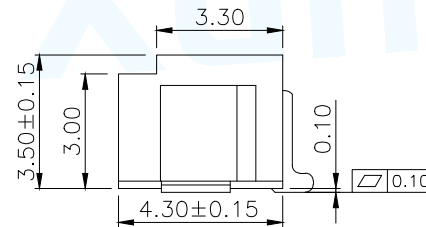
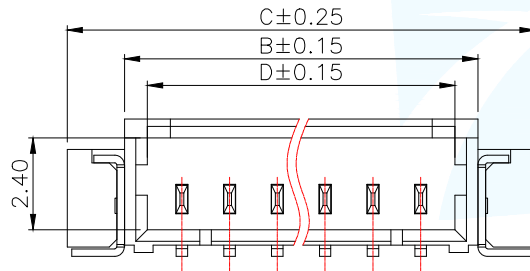
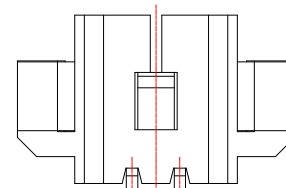
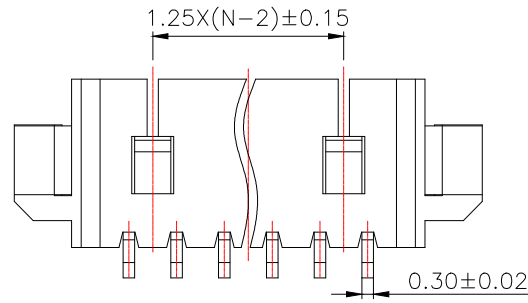


NOTES:

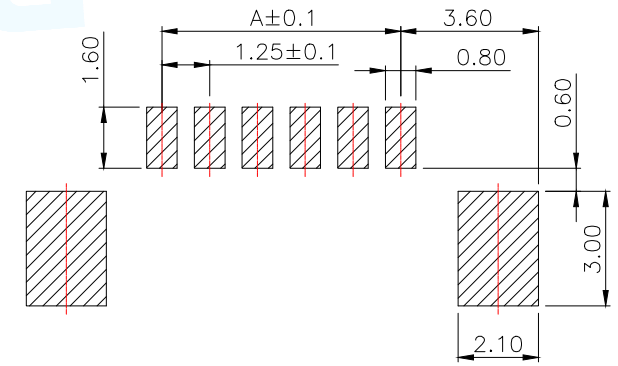
- Working temp: -25°C~85°C.
- Voltage rating: 100V AC/DC(rms)
- Contact resistance: 40mΩ max.
- Insulation resistance: 100MΩ min.
- Current rating: 1A AV/DC
- Withstanding Voltage: 500V AC/minute
- Pin Retention Force: 5N min.
- Housing material: LCP UL94-V0, Natural
- Terminal materl: Brass, plating Ni 50u" min , plating Tin 100u"min.
- Solder tab material: Brass, plating Ni 50u" min , plating Tin 100u"min.



PIN	NO.	Dim A	Dim B	Dim C	Dim D
2	WAFER-MX1.25B-2PWB	1.25	4.45	7.45	3.05
3	WAFER-MX1.25B-3PWB	2.50	5.70	8.70	4.30
4	WAFER-MX1.25B-4PWB	3.75	6.95	9.95	5.55
5	WAFER-MX1.25B-5PWB	5.00	8.20	11.20	6.80
6	WAFER-MX1.25B-6PWB	6.25	9.45	12.45	8.05
7	WAFER-MX1.25B-7PWB	7.50	10.70	13.70	9.30
8	WAFER-MX1.25B-8PWB	8.75	11.95	14.95	10.55
9	WAFER-MX1.25B-9PWB	10.00	13.20	16.20	11.8
10	WAFER-MX1.25B-10PWB	11.25	14.45	17.45	13.05
11	WAFER-MX1.25B-11PWB	12.50	15.70	18.70	14.3
12	WAFER-MX1.25B-12PWB	13.75	16.95	19.95	15.55
13	WAFER-MX1.25B-13PWB	15.00	18.20	21.20	16.80
14	WAFER-MX1.25B-14PWB	16.25	19.45	22.45	18.05
15	WAFER-MX1.25B-15PWB	17.50	20.70	23.70	19.3
16	WAFER-MX1.25B-16PWB	18.75	21.95	24.95	20.55



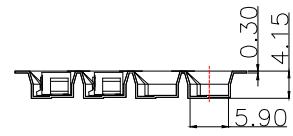
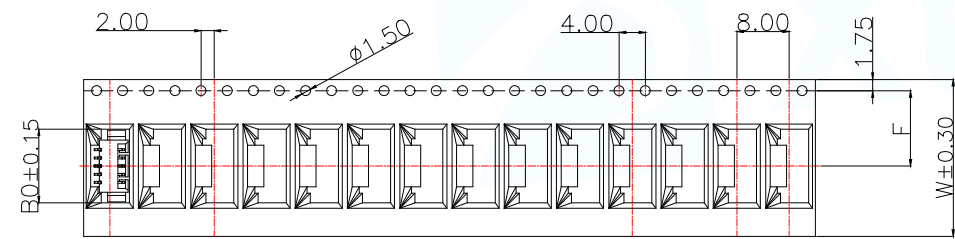
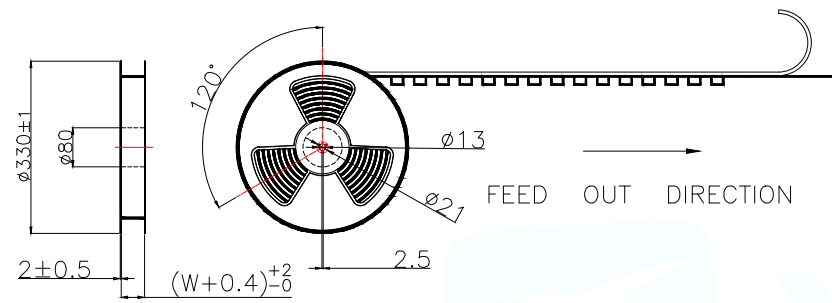
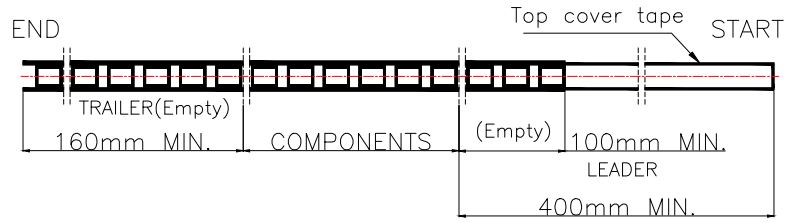
2P&3P



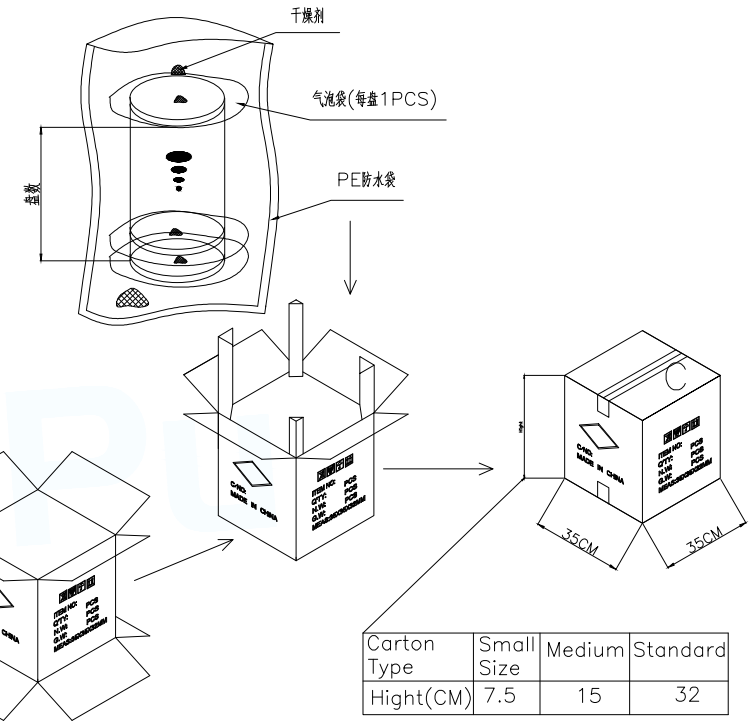
RECOMMENDED PCB LAYOUT TOP VIEW (TOLERANCE: ± 0.05)

SMT SOLDER AREA

MANUFACTURE DWG		东莞市讯普电子科技有限公司 DongGuan XunPu Electronics Co.,Ltd	
UNLESS OTHERWISE SPECIFIED TOLERANCES		TITLE: WAFER PH1.25mm H3.6mm W/ B 90°SMT	
		PAR	WAFER-MX1.25B-NPWB
		DWN	
		CHKD	
		APVD	
DECIMALS:	ANGLES:	SCALE: 1:1	UNIT: MM
.X: ± 0.35	X°: ± 5°	SIZE: A4	SHEET: 1F1
.XX: ± 0.25	X.X°: ± 3°	CUSTOMER COPY	REV: A
.XXX: ± 0.15	X.XX°: ± 1°		

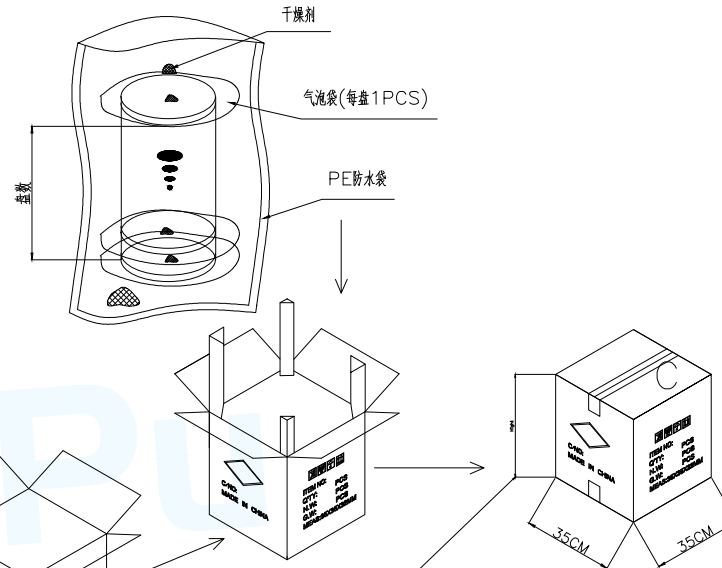
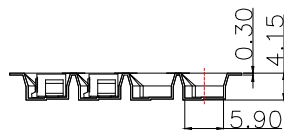
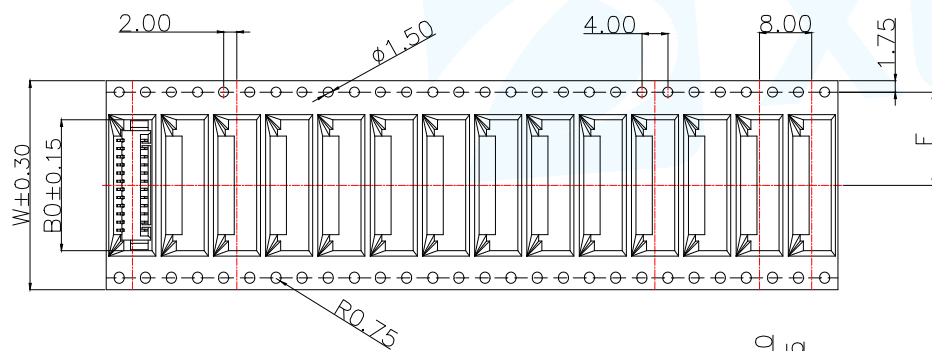
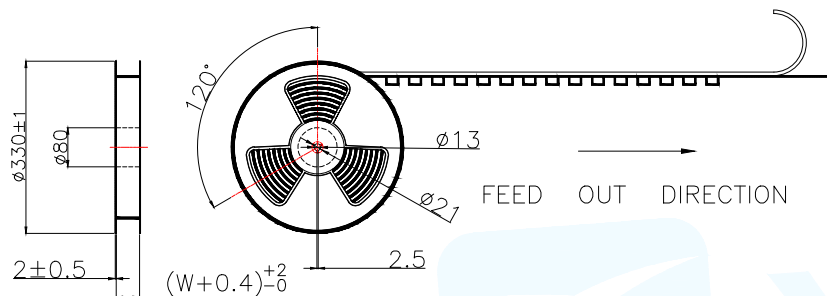
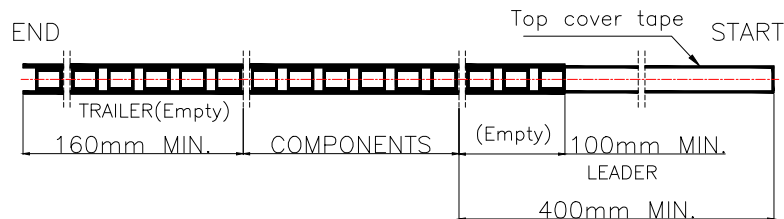


PIN	NO.	Dim B0	Dim W	Dim F	PCS/RELL	RELL/CARTON	PCS/CARTON
2	WAFER-MX1.25B-2PWB	7.55	16	7.5	2000	14	28000
3	WAFER-MX1.25B-3PWB	8.80					
4	WAFER-MX1.25B-4PWB	10.05	24	11.50			
5	WAFER-MX1.25B-5PWB	11.30					
6	WAFER-MX1.25B-6PWB	12.55					
7	WAFER-MX1.25B-7PWB	13.80					
8	WAFER-MX1.25B-8PWB	15.05					



Carton Type	Small Size	Medium	Standard
Hight(CM)	7.5	15	32

MANUFACTURE DWG		东莞市讯普电子科技有限公司 DongGuan XunPu Electronics Co.,Ltd	
UNLESS OTHERWISE SPECIFIED TOLERANCES			TITLE:WAFER PH1.25mm H3.6mm W/ B 90°SMT
			PAR WAFER-MX1.25B-NPWB
DECIMALS:	ANGLES:		DWN
.X:±0.35	X':±5°		CHKD
.XX:±0.25	X.X':±3°	APVD	
.XXX:±0.15	X.XX':±1°	SCALE:1:1	UNIT:MM
CUSTOMER COPY		SIZE:A4	SHEET:1F1
			REV:A



Carton Type	Small Size	Medium	Standard
Hight(CM)	7.5	15	32

PIN	NO.	Dim B0	Dim W	Dim F	PCS/RELL	RELL/CARTON	PCS/CARTON
9	WAFER-MX1.25B-9PWB	16.30	32	14.2	2000	8	16000
10	WAFER-MX1.25B-10PWB	17.55					
11	WAFER-MX1.25B-11PWB	18.80					
12	WAFER-MX1.25B-12PWB	20.05					
13	WAFER-MX1.25B-13PWB	21.30	44	20.2	6	12000	
14	WAFER-MX1.25B-14PWB	22.55					
15	WAFER-MX1.25B-15PWB	23.80					
16	WAFER-MX1.25B-16PWB	25.05					

MANUFACTURE DWG		东莞市讯普电子科技有限公司 DongGuan XunPu Electronics Co.,Ltd	
UNLESS OTHERWISE SPECIFIED TOLERANCES			TITLE:WAFER PH1.25mm H3.6mm W/ B 90°SMT
DECIMALS:	ANGLES:		PAR WAFER-MX1.25B-NPWB
.X:±0.35	X':±5°		DWN
.XX:±0.25	X.X':±3°		CHKD
.XXX:±0.15	X.XX':±1°	APVD	SCALE:1:1 UNIT:MM
CUSTOMER COPY		SIZE:A4	SHEET:1F1 REV:A